

SPECIFICATION SHEET

LARGE ROUND FIREBOWL WITH ENCLOSURE

Index # 10, Rev-13

Page 1 of 2

MATERIAL OPTIONS:

FIRE BOWL MATERIALS: White Cast Stone, Black Cast Stone, Hand Polished Aluminium or Hand Polished Bronze.

ENCLOSURE: Black Steel, Rosal Limestone, White Madre Perle, Black Granite, Hand Polished Bronze, Brushed Stainless Steel.

ENCLOSURE FASCIA OPTIONS - The Metal Enclosure has an option to fit a 4pc Fascia made of Stone.

CE APPROVAL:

Currently CE tested, approved and available for the following countries:

NG-I2H-G20-20mBar

UK, EIRE, AUSTRIA, DENMARK, SPAIN, FINLAND, ITALY, PORTUGAL & SWEDEN.

NG-I2E-G20-20mBar

GERMANY, LUXEMBOURG

NG-I2E⁺-G20/G25-20/25mBar

FRANCE, BELGIUM

NG-I2L-G25-25mBar

NETHERLANDS

LPG-I3P(37)-G31-37mBar

UK, EIRE, NETHERLANDS, FRANCE, SPAIN, ITALY & PORTUGAL.

DIMENSIONS:

Overall dimensions of the surround:

NG/LPG HEIGHT: 700mm x WIDTH: 1200mm x DEPTH: 3-5mm

SF HEIGHT: 700mm x WIDTH: 1200mm x DEPTH: 3-5mm

Overall dimensions of the fire:

NG/LPG HEIGHT: 195mm x WIDTH: 490mm x DEPTH: 490mm

Dimensions of standard Opening:

NG/LPG HEIGHT: 600mm x WIDTH: 840mm x DEPTH: 575mm

Dimensions of required construction opening:

HEIGHT: 900mm x WIDTH: 900mm x DEPTH: 600mm

LARGE ROUND POWER RATING:

High and low flame setting (gas only):

Heat input high: NG - 12.5KW LPG - 12KW

Heat input low: NG - 7.5 KW LPG - 8.6KW

OTHER TECHNICAL INFORMATION:

1. Fire Available for Natural Gas or LPG [see approvals above].
2. Rosal Limestone is a soft material which contains fossils, of which the quantity is not controllable. It is very absorbent and is easily marked by liquids and soot which is a natural by-product of a living flame.
3. Standard Enclosure may need glass panel fitting to improve the draw.
4. ODS (Oxygen Depletion System) to monitor oxygen levels in the room (gas only).
5. For use with chimneys or flues (unaided by mechanical extraction) with an integral free area no less than 248 cm² - Class 1x3m minimum length.
6. **NB:** Chimney/flue must be swept and tested by a registered chimney sweep prior to installation.
7. For air brick requirements please see air brick chart below in relation to high input settings.
8. Approximate running costs per hour on low (subject to your gas supplier tariff): NG - 10.3p LPG - 28.1p.
9. Bowl is Manual Control as Standard
10. All Gas Fires must be installed by a Corgi Registered Engineer, failure to do so will invalidate the warranty.
11. All Gas Fires should be serviced by a Corgi Registered Engineer every 12 months to ensure that they operate within legal limits.

CVO reserve the right to amend and improve any of the specification sheets without prior notice.

NOTE - The low-rate on the burner unit has a running noise level due to the nature of the gas flow rate through the valve. This is normal for the size of this fire.

All fires are living flames. Sooting can occur as a natural bi-product of a living flame and cannot be controlled or eliminated. Weathering and sooting of the enclosures is a natural and normal occurrence. This, understandably is more obvious on light coloured materials such as white stone and white powder coated steel.

Cast bronze and cast iron are hand sand cast and polished. Pitting and air holes are normal and a part of the unique quality of such a piece.

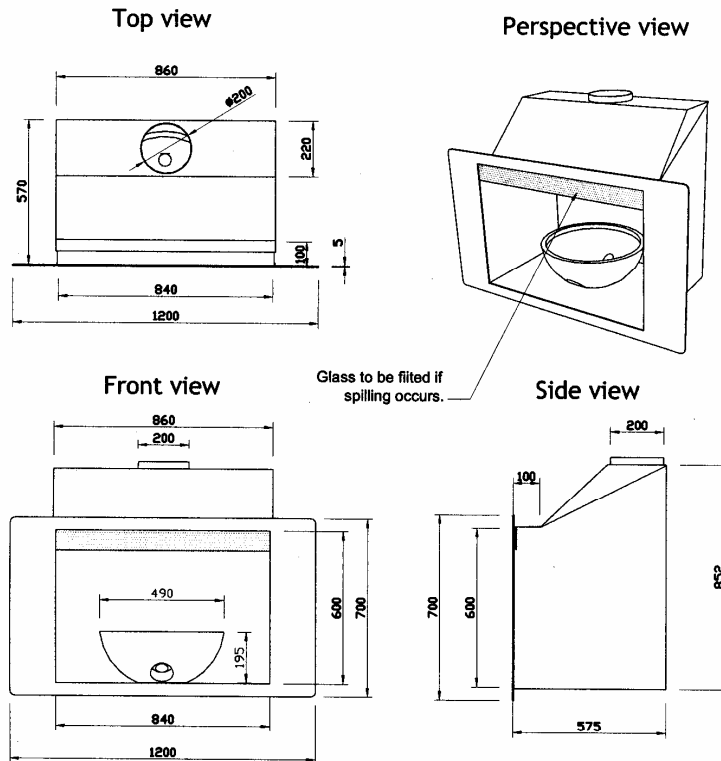


AIRBRICK CHART	
Input Energy:	
0-7KW	No Airbrick Required
8-9KW	11cm ² free air
10-15	36cm ² free air
16-18KW	50cm ² free air
KEY	
NG - NATURAL GAS	
SF - SOLID FUEL	
LPG - LIQUID PETROLEUM GAS	
ALL DIMENSIONS WITHIN +/- 2mm	

Spirit Fires Ltd, 4 Beaumont Square Durham Way South Aycliffe Industrial Park
 Newton Aycliffe County Durham DL5 6SW
 Tel: +44 (0) 1325 327 221 Fax: +(0)1325 327 292
 Email info@cvo.co.uk

SPECIFICATION SHEET
LARGE ROUND FIREBOWL WITH ENCLOSURE
 Index # 10, Rev-13
 Page 2 of 2

NOTE - The dimensions on this product are for a metal enclosure.



For the builders opening please allow room for adjustments and for gas and electric supply.

CVO reserve the right to amend and improve any of the specification sheets without prior notice.

NOTE - The low-rate on the burner unit has a running noise level due to the nature of the gas flow rate through the valve. This is normal for the size of this fire.

All fires are living flames. Sooting can occur as a natural bi-product of a living flame and cannot be controlled or eliminated. Weathering and sooting of the enclosures is a natural and normal occurrence. This, understandably is more obvious on light coloured materials such as white stone and white powder coated steel.

Cast bronze and cast iron are hand sand cast and polished. Pitting and air holes are normal and a part of the unique quality of such a piece.



AIRBRICK CHART	
Input Energy:	
0-7KW	No Airbrick Required
8-9KW	11cm ² free air
10-15	36cm ² free air
16-18KW	50cm ² free air
KEY	
NG	- NATURAL GAS
SF	- SOLID FUEL
LPG	- LIQUID PETROLEUM GAS
ALL DIMENSIONS WITHIN +/- 2mm	

Spirit Fires Ltd, 4 Beaumont Square Durham Way South Aycliffe Industrial Park
 Newton Aycliffe County Durham DL5 6SW
 Tel: +44 (0) 1325 327 221 Fax: +(0)1325 327 292
 Email info@cvo.co.uk