

## SPECIFICATION SHEET

### STONE or METAL CUBE WITH ENCLOSURE [Class 1 or Class 2]

Index # 12, Rev-11

Page 1 of 4

#### MATERIAL OPTIONS:

CUBE BURNER MATERIAL: Black Steel, Limestone, Black Granite or Polished Bronze. (Other Colour and Stone options upon request)

CUBE ENCLOSURE: Black Steel, Limestone, Black Granite or Polished Bronze. (Other Colour and Stone options upon request)

#### CE APPROVAL:

Currently CE tested, approved and available for the following countries:

NG-I2H-G20-20mBar

UK, EIRE, AUSTRIA, DENMARK, SPAIN, FINLAND, ITALY, PORTUGAL, SWEDEN, NORWAY & GREECE

NG-I2E<sup>+</sup>-G20/G25-20/25mBar

BELGIUM & FRANCE

NG-I2E-G20-20mBar

GERMANY & LUXEMBOURG

NG-I2L-G25-25mBar

NETHERLANDS

LPG-I3P(37)-G31-37mBar

UK, EIRE, SPAIN, PORTUGAL & GREECE

LPG-I3P(30)-G31-30mBar

NETHERLANDS

LPG-I3P(50)-G31-50mBar

GERMANY, AUSTRIA, NETHERLANDS

#### DIMENSIONS:

Overall dimensions of the surround:

CLASS 1 HEIGHT: 740mm x WIDTH: 745mm x DEPTH: 3mm

CLASS 2 HEIGHT: 865mm x WIDTH: 505mm x DEPTH: 3mm

Overall dimensions of the fire:

STONE HEIGHT: 350mm x WIDTH: 330mm x DEPTH: 330mm

BRONZE HEIGHT: 340mm x WIDTH: 330mm x DEPTH: 330mm

Dimensions of standard enclosure:

CLASS 2 HEIGHT: 660mm x WIDTH: 665mm x DEPTH: 470mm

CLASS 2 HEIGHT: 578mm (with glass panel fitted, reduce to 530mm) x WIDTH: 445mm x DEPTH: 455mm

Dimensions of required construction opening:

CLASS 1 HEIGHT: 1265mm x WIDTH: 700mm x DEPTH: 500mm

CLASS 2 HEIGHT: 800mm x WIDTH: 480mm x DEPTH: 470mm

#### CUBE POWER RATING:

High and low flame setting (gas only):

Heat input high: NG - 6.8KW LPG - 4.5KW

Heat input low: NG - 3.3KW LPG - 2.8KW

#### OTHER TECHNICAL INFORMATION:

1. Rosal Limestone is a soft material which contains fossils, of which the quantity is not controllable. It is very absorbent and is easily marked by liquids and soot which is a natural by-product of a living flame.
2. ODS (Oxygen Depletion System) to monitor oxygen levels in the room (gas only).
3. Class 1 or Class 2 Flue system
4. For use with chimneys or flues (unaided by mechanical extraction) with an integral free area no less than 248cm<sup>2</sup> - Class 1 x 3m minimum length, Class 2 - 127cm<sup>2</sup> x 3m minimum length.
5. Approximate running cost per hour on low (subject to your gas supplier tariff): NG - 5.15p, LPG - 9.15p.
6. Chimney/flue must be swept and tested by a registered chimney sweep prior to installation.
7. For air brick requirements please see air brick chart below in relation to high input settings.
8. Remote Control Only, 240v, 3amp fuse spur supply required for the remote.

CVO reserve the right to amend and improve any of the specification sheets without prior notice.

All fires are living flames. Sooting can occur as a natural bi-product of a living flame and cannot be controlled or eliminated. Weathering and sooting of the enclosures is a natural and normal occurrence. This, understandably is more obvious on light coloured materials such as white stone and white powder coated steel.

Cast bronze and cast iron are hand sand cast and polished. Pitting and air holes are normal and a part of the unique quality of such a piece.



AIRBRICK CHART	
Input Energy:	
0-7KW	No Airbrick Required
8-9KW	11cm <sup>2</sup> free air
10-15	36cm <sup>2</sup> free air
16-18KW	50cm <sup>2</sup> free air
KEY	
NG - NATURAL GAS	
SF - SOLID FUEL	
LPG - LIQUID PETROLEUM GAS	
ALL DIMENSIONS WITHIN +/- 2mm	

Spirit Fires Ltd, 4 Beaumont Square Durham Way South Aycliffe Industrial Park  
 Newton Aycliffe County Durham DL5 6SW  
 Tel: +44 (0) 1325 327 221 Fax: +(0)1325 327 292  
 Email info@cvo.co.uk

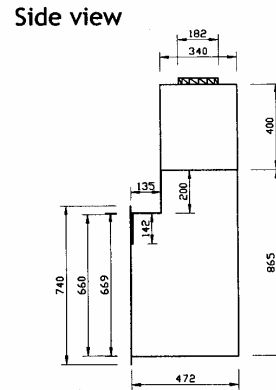
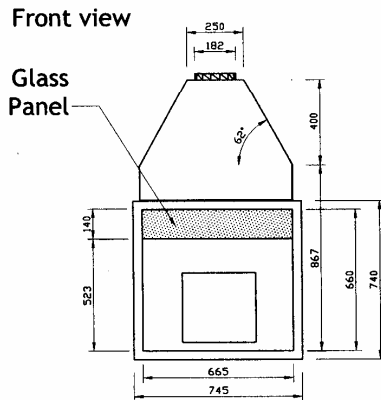
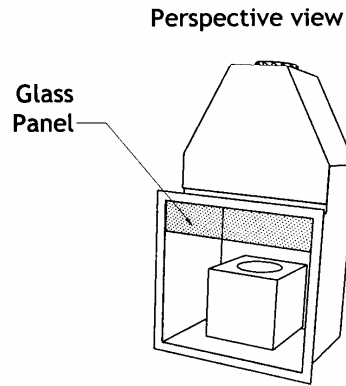
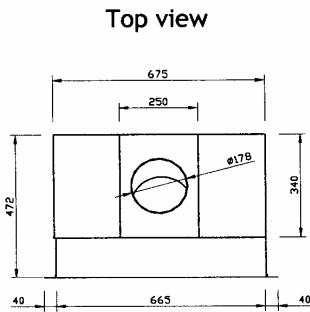
## SPECIFICATION SHEET

### STONE or METAL CUBE WITH ENCLOSURE [Class 1 or Class 2]

Index # 12, Rev-11

Page 2 of 4

NOTE - The dimensions on this product is for a Class 1 metal enclosure.



For the builders opening please allow room for adjustments and for gas and electric supply.

The Gather unit is optional depending upon installation requirements. If the standard gather is not to be used, the fire must be connected to the inglenook in accordance with CORGI and local regulations. The gather shown is for dimensional purposes only. Please specify when placing your order.

CVO reserve the right to amend and improve any of the specification sheets without prior notice.

All fires are living flames. Sooting can occur as a natural bi-product of a living flame and cannot be controlled or eliminated. Weathering and sooting of the enclosures is a natural and normal occurrence. This, understandably is more obvious on tight coloured materials such as white stone and white powder coated steel.

Cast bronze and cast iron are hand sand cast and polished. Pitting and air holes are normal and a part of the unique quality of such a piece.



AIRBRICK CHART	
Input Energy:	
0-7KW	No Airbrick Required
8-9KW	11cm <sup>2</sup> free air
10-15	36cm <sup>2</sup> free air
16-18KW	50cm <sup>2</sup> free air
KEY	
NG	- NATURAL GAS
SP	- SOLID FUEL
LPG	- LIQUID PETROLEUM GAS
ALL DIMENSIONS WITHIN +/- 2mm	

Spirit Fires Ltd, 4 Beaumont Square Durham Way South Aycliffe Industrial Park  
 Newton Aycliffe County Durham DL5 6SW  
 Tel: +44 (0) 1325 327 221 Fax: +(0)1325 327 292  
 Email info@cvo.co.uk

## SPECIFICATION SHEET

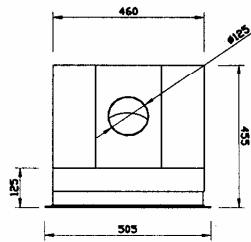
**STONE or METAL CUBE WITH ENCLOSURE [Class 1 or Class 2]**

Index # 12, Rev-11

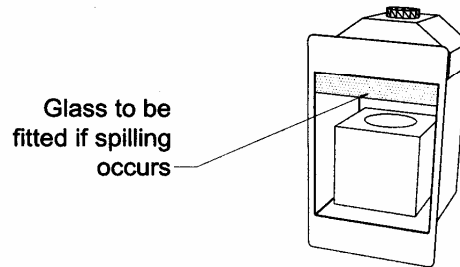
Page 3 of 4

**NOTE - The dimensions on this product are for a Class 2 metal enclosure.**

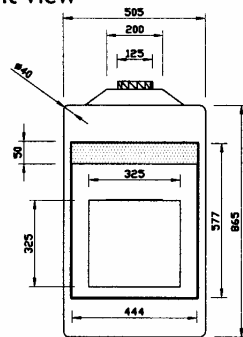
Top view



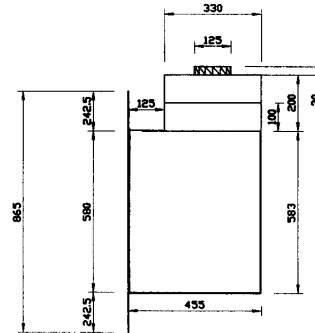
Perspective view



Front view



Side view



For the builders opening please allow room for adjustments and for gas and electric supply.

The Gather unit is optional depending upon installation requirements. If the standard gather is not to be used, the fire must be connected to the inglenook in accordance with CORGI and local regulations. The gather shown is for dimensional purposes only. Please specify when placing your order.

CVO reserve the right to amend and improve any of the specification sheets without prior notice.

All fires are living flames. Sooting can occur as a natural bi-product of a living flame and cannot be controlled or eliminated. Weathering and sooting of the enclosures is a natural and normal occurrence. This, understandably is more obvious on light coloured materials such as white stone and white powder coated steel.

Cast bronze and cast iron are hand sand cast and polished. Pitting and air holes are normal and a part of the unique quality of such a piece.



AIRBRICK CHART	
Input Energy:	
0-7KW	No Airbrick Required
8-9KW	11cm <sup>2</sup> free air
10-15	36cm <sup>2</sup> free air
16-18KW	50cm <sup>2</sup> free air
KEY	
NG	- NATURAL GAS
SF	- SOLID FUEL
LPG	- LIQUID PETROLEUM GAS
ALL DIMENSIONS WITHIN +/- 2mm	

Spirit Fires Ltd, 4 Beaumont Square Durham Way South Aycliffe Industrial Park  
 Newton Aycliffe County Durham DL5 6SW  
 Tel: +44 (0) 1325 327 221 Fax: +(0)1325 327 292  
 Email info@cvo.co.uk

## SPECIFICATION SHEET

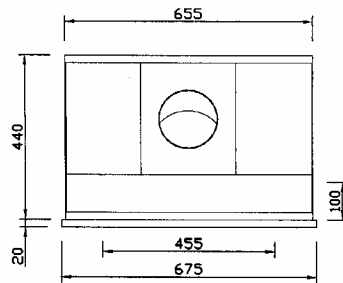
### STONE or METAL CUBE WITH ENCLOSURE [Class 1 or Class 2]

Index # 12, Rev-11

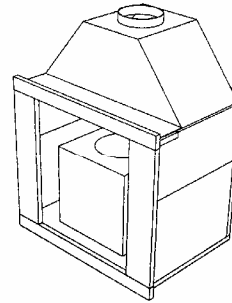
Page 4 of 4

**NOTE - The dimensions on this product are for a Class 2 Stone enclosure.**

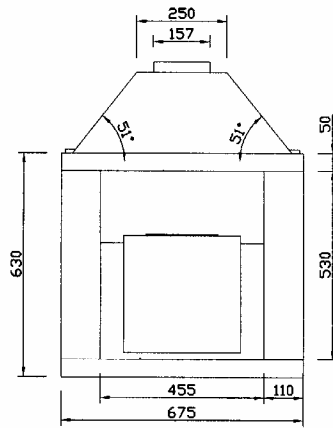
Top view



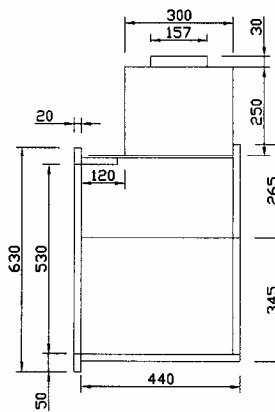
Perspective view



Front view



Side view



**For the builders opening please allow room for adjustments, gas and electric supply.**

**The Gather unit is optional depending upon installation requirements. If the standard gather is not to be used, the fire must be connected to the inglenook in accordance with CORGI and local regulations. The gather shown is for dimensional purposes only. Please specify when placing your order.**

CVO reserve the right to amend and improve any of the specification sheets without prior notice.

All fires are living flames. Sooting can occur as a natural bi-product of a living flame and cannot be controlled or eliminated. Weathering and sooting of the enclosures is a natural and normal occurrence. This, understandably is more obvious on tight coloured materials such as white stone and white powder coated steel.

Cast bronze and cast iron are hand sand cast and polished. Pitting and air holes are normal and a part of the unique quality of such a piece.



AIRBRICK CHART	
Input Energy:	No Airbrick Required
0-7KW	11cm <sup>2</sup> free air
8-9KW	36cm <sup>2</sup> free air
10-15	50cm <sup>2</sup> free air
16-18KW	
KEY	
NG	- NATURAL GAS
SP	- SOLID FUEL
LPG	- LIQUID PETROLEUM GAS
ALL DIMENSIONS WITHIN +/- 2mm	

Spirit Fires Ltd, 4 Beaumont Square Durham Way South Aycliffe Industrial Park  
 Newton Aycliffe County Durham DL5 6SW  
 Tel: +44 (0) 1325 327 221 Fax: +(0)1325 327 292  
 Email info@cvo.co.uk