

SPECIFICATION SHEET

FIREBREAK - (Fire Ribbon™)

Index # 19, Rev-11

Page 1 of 2

Burner Unit

1. Approved for NG or LPG
2. NG Heat input: 12 KW (High) 7 KW (Low)
3. LPG Heat input: 18.5 KW (High) 8 KW (Low)

Material options:

NG: Polished Bronze, Brushed Stainless Steel, Black Granite, Rosal Limestone

LPG: Polished Bronze & Brushed Stainless Steel

Note: Rosal Limestone is a soft material which contains fossils, of which the quantity is not controllable. It is very absorbent and is easily marked by liquids and soot which is a natural by-product of a living flame. Limestone can be protected by Stone Sealer which is easily available from any DIY superstore.

Overall dimensions of fascia/surround: HEIGHT: 455mm x WIDTH: 1250mm x DEPTH: 300mm

Dimensions of enclosure opening: HEIGHT: 265mm x WIDTH: 1105mm x DEPTH: 370mm

Dimensions of required construction opening: HEIGHT: 950mm x WIDTH: 1180mm x DEPTH: 430mm

Currently CE tested, approved and available for the following countries:

NG-I2H-G20-20mBaR

UK, EIRE, AUSTRIA, DENMARK, SPAIN, FINLAND, ITALY, PORTUGAL, NORWAY & SWEDEN.

NG-I2E-G20-20mBaR

GERMANY, LUXEMBOURG

NG-IE2⁺-G20/G25-20/25mBaR

BELGIUM, FRANCE

LPG-I3P(37)-G31-37mBaR

UK, EIRE, SPAIN, BELGIUM & PORTUGAL.

Notes

1. When ordering this Fire you will receive a Burner Unit and Enclosure, an optional gather can be supplied if required.
2. The Burner unit is fitted with a Remote Control system as standard. (240v, 3amp fused spur supply required) The Remote Control unit has both a Hand Held Infra-red handset and hard-wired switch. Both must be installed to ensure the fire functions correctly.
3. The Burner unit is fitted with an ODS (Oxygen Depletion System) safety device, to monitor oxygen levels in the room and will shut down the fire in the event of levels falling below the legal limit.
4. This Fire requires a chimneys or flue system (with or without mechanical extraction) with an internal free area no less than 324cm² - Class 1 x 1.5m length minimum.
5. It is advisable to have the Chimney/flue swept and tested prior to installation by a registered chimney sweep to ensure there are no blockages or leaks.
6. For air brick requirements please see air brick chart below in relation to the burner high input settings.
7. Stone is supplied in Sections to allow expansion of the stone and ease of installation.
8. Approximate running costs per hour on low (subject to your gas supplier tariff): NG - 12.48p LPG - 29.34p.

CVO reserve the right to amend and improve any of the specification sheets without prior notice.

All fires are living flames. Sooting can occur as a natural bi-product of a living flame and cannot be controlled or eliminated. Weathering and sooting of the enclosures is a natural and normal occurrence. This, understandably is more obvious on light coloured materials such as white stone and white powder coated steel.



AIRBRICK CHART	
Input Energy:	
0-7KW	No Airbrick Required
8-9KW	11cm ² free air
10-15	36cm ² free air
16-18KW	50cm ² free air
KEY	
NG - NATURAL GAS	
SF - SOLID FUEL	
LPG - LIQUID PETROLEUM GAS	
ALL DIMENSIONS WITHIN +/- 2mm	

Spirit Fires Ltd, 4 Beaumont Square Durham Way South Aycliffe Industrial Park
 Newton Aycliffe County Durham DL5 6SW
 Tel: +44 (0) 1325 327 221 Fax: +(0)1325 327 292
 Email info@cvo.co.uk

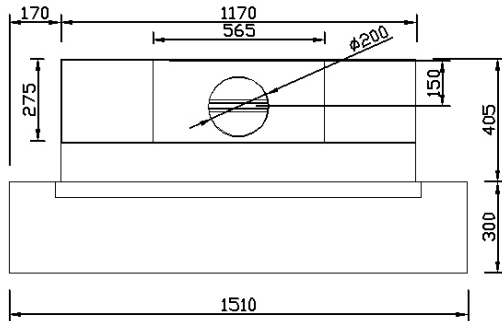
SPECIFICATION SHEET

FIREBREAK - (Fire Ribbon™)

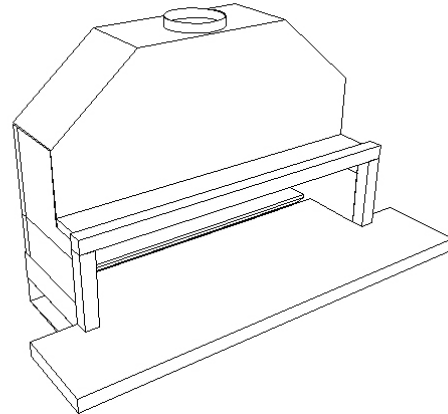
Index # 19, Rev-11

Page 2 of 2

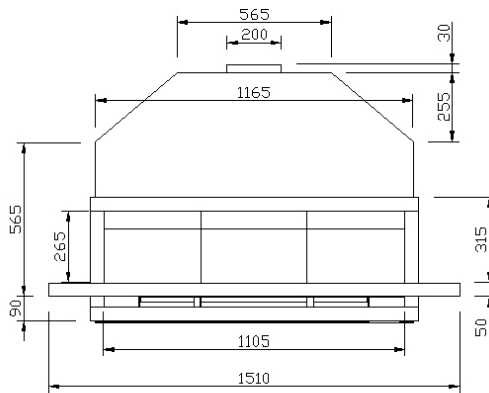
Top view



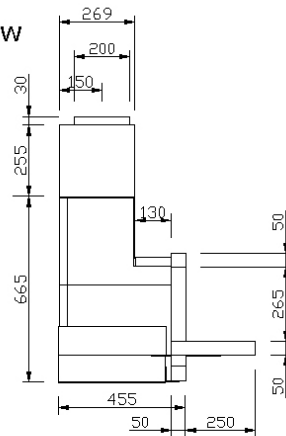
Perspective view



Front view



Side view



Gathers are optional depending upon installation requirements. If the standard gather is not to be used, the fire must be connected to the inglenook in accordance with CORGI and local regulations. The gather shown is for dimensional purposes only. The gather can be supplied as an optional extra. Please specify when placing your order.

CVO reserve the right to amend and improve any of the specification sheets without prior notice.

All fires are living flames. Sooting can occur as a natural bi-product of a living flame and cannot be controlled or eliminated. Weathering and sooting of the enclosures is a natural and normal occurrence. This, understandably is more obvious on light coloured materials such as white stone and white powder coated steel.



AIRBRICK CHART	
Input Energy:	
0-7KW	No Airbrick Required
8-9KW	11cm ² free air
10-15	36cm ² free air
16-18KW	50cm ² free air
KEY	
NG - NATURAL GAS	
SF - SOLID FUEL	
LPG - LIQUID PETROLEUM GAS	
ALL DIMENSIONS WITHIN +/- 2mm	

Spirit Fires Ltd, 4 Beaumont Square Durham Way South Aycliffe Industrial Park
 Newton Aycliffe County Durham DL5 6SW
 Tel: +44 (0) 1325 327 221 Fax: +(0)1325 327 292
 Email info@cvo.co.uk