

SPECIFICATION SHEET

AURORA SUITE WITH SMALL OVAL FIREBOWL

Index # 43, Rev-1

Page 1 of 2

MATERIAL OPTIONS:

FIRE BOWL MATERIALS: White Cast Stone, Sand Cast Stone, Black Cast Stone, Hand Polished Aluminium or Hand Polished Bronze

ENCLOSURE: Satin Black Steel

SURROUND: Bateig Diamante

HEARTH: African Black Granite

CE APPROVAL:

Currently CE tested, approved and available for the following countries:

NG - I2H - G20 - 20mBar

UK, EIRE, AUSTRIA, DENMARK, SPAIN, FINLAND, ITALY, PORTUGAL, SWEDEN, NORWAY & GREECE

NG - I2E+ - G20/G25 - 20/25mBar

BELGIUM & FRANCE

NG - I2L - G25 - 25mBar

NETHERLANDS

NG - I2E - G20 - 20mBar

GERMANY & LUXEMBOURG

LPG - I3P(37) - G31 - 37mBar

UK, EIRE, SPAIN, PORTUGAL, GREECE, LUXEMBOURG & NETHERLANDS

LPG - I3P(30) - G31 - 30mBar

NETHERLANDS

LPG - I3P(50) - G31 - 50mBar

GERMANY, NETHERLANDS & AUSTRIA

DIMENSIONS:

Overall dimensions of the fire bowl: NG/LPG HEIGHT: 198mm x WIDTH: 490mm x DEPTH: 340mm

Overall dimensions of the surround: NG/LPG HEIGHT: 1120mm x WIDTH: 1100mm x DEPTH: 124mm

Dimensions of the hearth: NG/LPG HEIGHT: 50mm x WIDTH: 1219mm x DEPTH: 381mm

Dimensions of enclosure opening [viewed from front]: NG/LPG HEIGHT: 570mm x WIDTH: 620mm x DEPTH: 475mm

Dimensions of required construction opening [Metal Enclosure]: NG/LPG HEIGHT: 1050mm x WIDTH: 724mm x DEPTH: 525mm

SMALL OVAL POWER RATING:

High and low flame setting (gas only):

Heat input high: NG - 9.3KW LPG - 8.9KW

Heat input low: NG - 7KW LPG - 6.7KW

OTHER TECHNICAL INFORMATION:

- Rosal Limestone is a soft material which contains fossils, of which the quantity is not controllable. It is very absorbent and is easily marked by liquids and soot which is a natural by-product of a living flame.
- Fire available in NG or LPG.
- For use with chimneys or flues (unaided by mechanical extraction) with an internal free area no less than 248cm² - Class 1 x 3m length. Chimney/flue must be swept and tested by a registered chimney sweep prior to installation.
- For air brick requirements please see air brick chart below in relation to high input settings.
- Approximate running costs per hour on low (subject to your gas supplier tariff): NG - 7.8p LPG - 21.9p
- 7KW Version available upon request
- Manual Control as Standard.
- Metal Enclosure comes with Gather Unit as Standard
- Stone Enclosure Gather is optional extra - please specify when ordering

CVO reserve the right to amend and improve any of the specification sheets without prior notice.

All fires are living flames. Sooting can occur as a natural bi-product of a living flame and cannot be controlled or eliminated. Weathering and sooting of the enclosures is a natural and normal occurrence. This, understandably is more obvious on light coloured materials such as white stone and white powder coated steel.

Cast bronze and cast iron are hand sand cast and polished. Pitting and air holes are normal and a part of the unique quality of such a piece.



AIRBRICK CHART	
Input Energy:	
0-7KW	No Airbrick Required
8-9KW	11cm ² free air
10-15	36cm ² free air
16-18KW	50cm ² free air
KEY	
NG - NATURAL GAS	
SF - SOLID FUEL	
LPG - LIQUID PETROLEUM GAS	
ALL DIMENSIONS WITHIN +/- 2mm	

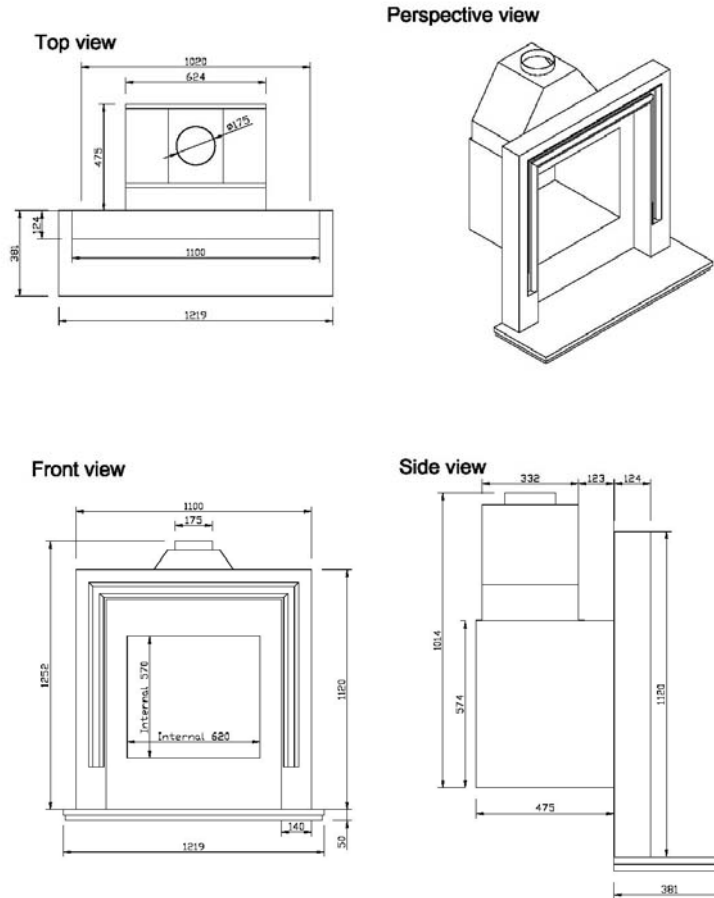
Spirit Fires Ltd, 4 Beaumont Square Durham Way South Aycliffe Industrial Park
 Newton Aycliffe County Durham DL5 6SW
 Tel: +44 (0) 1325 327 221 Fax: +(0)1325 327 292
 Email info@cvo.co.uk

SPECIFICATION SHEET

AURORA SUITE WITH SMALL OVAL FIREBOWL

Index # 43, Rev-1

Page 2 of 2



Gathers are optional depending upon installation requirements. If the standard gather is not to be used, the fire must be connected to the inglenook in accordance with CORGI and local regulations. The gather shown is for dimensional purposes only. The gather can be supplied as an optional extra. Please specify when placing your order.

CVO reserve the right to amend and improve any of the specification sheets without prior notice.

All fires are living flames. Sooting can occur as a natural bi-product of a living flame and cannot be controlled or eliminated. Weathering and sooting of the enclosures is a natural and normal occurrence. This, understandably is more obvious on light coloured materials such as white stone and white powder coated steel.

Cast bronze and cast iron are hand sand cast and polished. Pitting and air holes are normal and a part of the unique quality of such a piece.



AIRBRICK CHART	
Input Energy:	No Airbrick Required
0-7KW	11cm ² free air
8-9KW	36cm ² free air
10-15	50cm ² free air
16-18KW	
KEY	
NG - NATURAL GAS	
SF - SOLID FUEL	
LPG - LIQUID PETROLEUM GAS	
ALL DIMENSIONS WITHIN +/- 2mm	

Spirit Fires Ltd, 4 Beaumont Square Durham Way South Aycliffe Industrial Park
 Newton Aycliffe County Durham DL5 6SW
 Tel: +44 (0) 1325 327 221 Fax: +(0)1325 327 292
 Email info@cvo.co.uk