

SPECIFICATION SHEET

SMALL OVAL FIREBOWL WITH PORT HOLE ENCLOSURE

Index # 46, Rev-5

Page 1 of 2

MATERIAL OPTIONS:

FIRE BOWL MATERIALS: White Cast Stone, Black Cast Stone, Hand Polished Aluminium or Hand Polished Bronze.

PORTHOLE ENCLOSURE: Black Steel only.

CE APPROVAL:

Currently CE tested, approved and available for the following countries:

NG - I2H - G20 - 20mBar

UK, EIRE, AUSTRIA, DENMARK, SPAIN, FINLAND, ITALY, PORTUGAL, SWEDEN, NORWAY & GREECE

NG - I2E+ - G20/G25 - 20/25mBar

BELGIUM & FRANCE

NG - I2L - G25 - 25mBar

NETHERLANDS

NG - I2E - G20 - 20mBar

GERMANY & LUXEMBOURG

LPG - I3P(37) - G31 - 37mBar

UK, EIRE, SPAIN, PORTUGAL, GREECE, LUXEMBOURG & NETHERLANDS

LPG - I3P(30) - G31 - 30mBar

NETHERLANDS

LPG - I3P(50) - G31 - 50mBar

GERMANY, NETHERLANDS & AUSTRIA

DIMENSIONS:

Overall dimensions of the surround:

NG/SF/LPG HEIGHT: 605mm x WIDTH: 880mm x DEPTH: 4mm

Overall dimensions of the fire:

NG/LPG HEIGHT: 198mm x WIDTH: 490mm x DEPTH: 340mm

SF HEIGHT (with inner and grate finished): 240mm x WIDTH: 490mm x DEPTH: 340mm

Dimensions of standard enclosure:

NG/LPG/SF HEIGHT: 640mm x WIDTH: 650mm x DEPTH: 444mm

Dimensions of required construction opening:

NG/LPG/SF HEIGHT: 640mm x WIDTH: 700mm x DEPTH: 490mm

SMALL OVAL BOWL POWER RATING:

High and low flame setting (gas only):

Heat input high: NG - 9.3KW LPG - 8.9KW

Heat input low: NG - 7KW LPG - 6.7KW

OTHER TECHNICAL INFORMATION:

1. For use with chimneys or flues (unaided by mechanical extraction) with an internal free area no less than 248cm² - Class 1 x 3m length.
2. **NB:** Chimney/flue must be swept and tested by a registered chimney sweep prior to installation.
3. **NB:** For air brick requirements please see air brick chart below in relation to high input settings.
4. Approximate running costs per hour on low (subject to your gas supplier tariff): NG - 7.8p LPG - 21.9p
5. Firebowl is Manual Control as Standard, (Remote Control available upon request (240v, 3amp fuse spur supply required for the remote))

CVO reserve the right to amend and improve any of the specification sheets without prior notice.

All fires are living flames. Sooting can occur as a natural bi-product of a living flame and cannot be controlled or eliminated. Weathering and sooting of the enclosures is a natural and normal occurrence. This, understandably is more obvious on light coloured materials such as white stone and white powder coated steel.

Cast bronze and cast iron are hand sand cast and polished. Pitting and air holes are normal and a part of the unique quality of such a piece.



AIRBRICK CHART	
Input Energy:	
0-7KW	No Airbrick Required
8-9KW	11cm ² free air
10-15	36cm ² free air
16-18KW	50cm ² free air

KEY

NG - NATURAL GAS
SF - SOLID FUEL
LPG - LIQUID PETROLEUM GAS

ALL DIMENSIONS WITHIN +/- 2mm

Spirit Fires Ltd, 4 Beaumont Square Durham Way South Aycliffe Industrial Park
Newton Aycliffe County Durham DL5 6SW
Tel: +44 (0) 1325 327 221 Fax: +(0)1325 327 292
Email info@cvo.co.uk

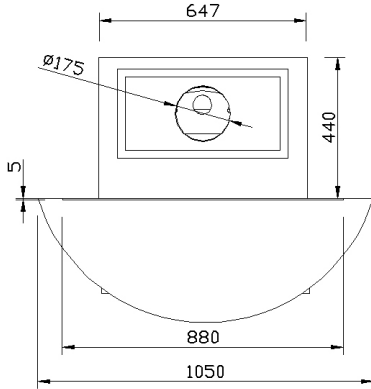
SPECIFICATION SHEET

SMALL OVAL FIREBOWL WITH PORT HOLE ENCLOSURE

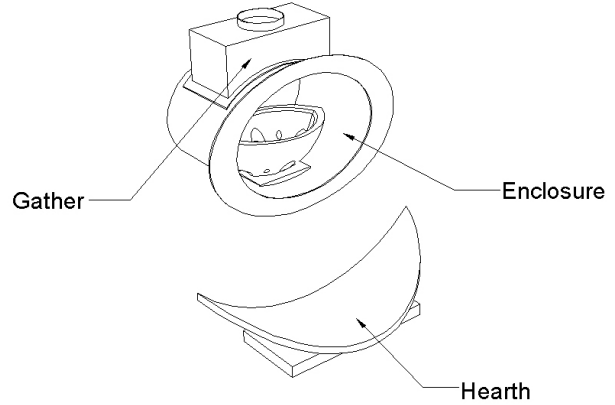
Index # 46, Rev-5

Page 2 of 2

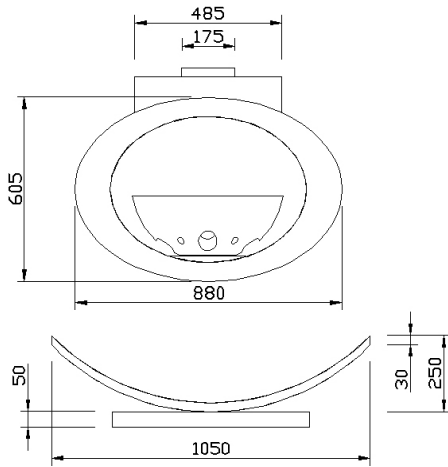
Top view



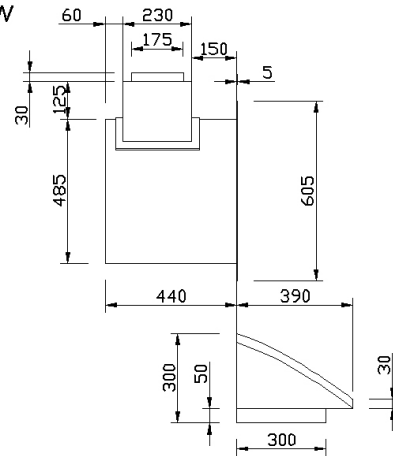
Perspective view



Front view



Side view



CVO reserve the right to amend and improve any of the specification sheets without prior notice.

All fires are living flames. Sooting can occur as a natural bi-product of a living flame and cannot be controlled or eliminated. Weathering and sooting of the enclosures is a natural and normal occurrence. This, understandably is more obvious on light coloured materials such as white stone and white powder coated steel.

Cast bronze and cast iron are hand sand cast and polished. Pitting and air holes are normal and a part of the unique quality of such a piece.



AIRBRICK CHART

Input Energy:	
0-7KW	No Airbrick Required
8-9KW	11cm ² free air
10-15	36cm ² free air
16-18KW	50cm ² free air

KEY

NG	- NATURAL GAS
SF	- SOLID FUEL
LPG	- LIQUID PETROLEUM GAS
ALL DIMENSIONS WITHIN +/- 2mm	

Spirit Fires Ltd, 4 Beaumont Square Durham Way South Aycliffe Industrial Park
 Newton Aycliffe County Durham DL5 6SW
 Tel: +44 (0) 1325 327 221 Fax: +(0)1325 327 292
 Email info@cvo.co.uk