

SPECIFICATION SHEET DOUBLE SIDED FIRE RIBBON™

Index # 48, Rev-6

Page 1 of 2

MATERIAL OPTIONS:

This Fire is supplied as a Full Suite with Burner, Enclosure, 2 x Fascia and Gather.

ENCLOSURE MATERIAL: Bright annealed steel

FASCIA OPTIONS: Cream Steel, Black Steel, Brushed Stainless Steel, Polished Bronze, Rosal Limestone, White Madre Perle or Black Granite.

CE APPROVAL:

Currently CE tested, approved and available for the following countries:

NG-I2H-G20-20mBar

UK, EIRE, AUSTRIA, DENMARK, SPAIN, FINLAND, ITALY, NORWAY, PORTUGAL & SWEDEN.

NG-I2E-G20-20mBar

GERMANY, LUXEMBOURG

NG-I2E⁺-G20/G25-20/25mBar

FRANCE, BELGIUM

LPG-I3P(37)-G31-37mBar

UK, EIRE, ITALY, SPAIN, BELGIUM & PORTUGAL.

DIMENSIONS:

Overall dimensions of fascias:

HEIGHT: 605mm x WIDTH: 1345mm x DEPTH: 40mm

Dimensions of standard enclosure opening:

HEIGHT: 265mm x WIDTH: 845mm

Dimensions of required construction opening:

With Stone Fascias HEIGHT: 870mm x WIDTH: 950mm x DEPTH: 450mm

With Metal Fascias HEIGHT: 870mm x WIDTH: 950mm x DEPTH: 490mm

RIBBON POWER RATING:

High and low flame settings (gas only):

Heat input high: NG - 14.00KW LPG - 20KW

Heat input low: NG - 8.00KW LPG - 9KW

OTHER TECHNICAL INFORMATION:

1. Rosal Limestone is a soft material which contains fossils, of which the quantity is not controllable. It is very absorbent and is easily marked by liquids and soot which is a natural by-product of a living flame.
2. Fire available in NG or LPG
3. ODS (Oxygen Depletion System), to monitor oxygen levels in the room (gas only).
4. For use with chimneys or flues with mechanical extraction (Mechanical Extraction specialists - Exhausto TEL 01494465166). Internal free area no less than 324cm² - Class 1 x 1.5m length minimum.
5. Chimney/flue must be swept and tested prior to installation by a registered chimney sweep.
6. For air brick requirements please see air brick chart below in relation to high input settings.
7. Approximate running costs per hour on low (subject to your gas supplier tariff): NG - 12.48p LPG - 29.34p
8. Remote Control as Standard, 240v, 3amp fused spur supply required for remote.
9. Gather supplied as standard
10. Fascia options can be mixed on either side

CVO reserve the right to amend and improve any of the specification sheets without prior notice.

All fires are living flames. Sooting can occur as a natural bi-product of a living flame and cannot be controlled or eliminated. Weathering and sooting of the enclosures is a natural and normal occurrence. This, understandably is more obvious on light coloured materials such as white stone and white powder coated steel.

Cast bronze and cast iron are hand sand cast and polished. Pitting and air holes are normal and a part of the unique quality of such a piece.

NOTE - The low-rate on the burner unit has a running noise level due to the nature of the gas flow rate through the valve. This is normal for the size of this fire.



AIRBRICK CHART

Input Energy:	No Airbrick Required
0-7KW	No Airbrick Required
8-9KW	11cm ² free air
10-15	36cm ² free air
16-18KW	50cm ² free air

KEY

NG - NATURAL GAS
SF - SOLID FUEL
LPG - LIQUID PETROLEUM GAS
ALL DIMENSIONS WITHIN +/- 2mm

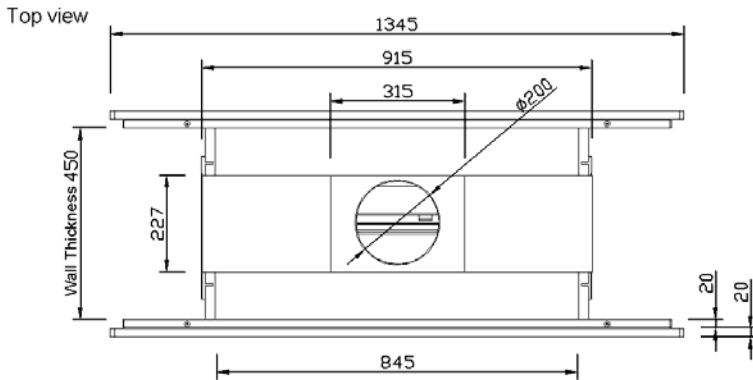
Spirit Fires Ltd, 4 Beaumont Square Durham Way South Aycliffe Industrial Park
Newton Aycliffe County Durham DL5 6SW
Tel: +44 (0) 1325 327 221 Fax: +(0)1325 327 292
Email info@cvo.co.uk

www.cvo.co.uk

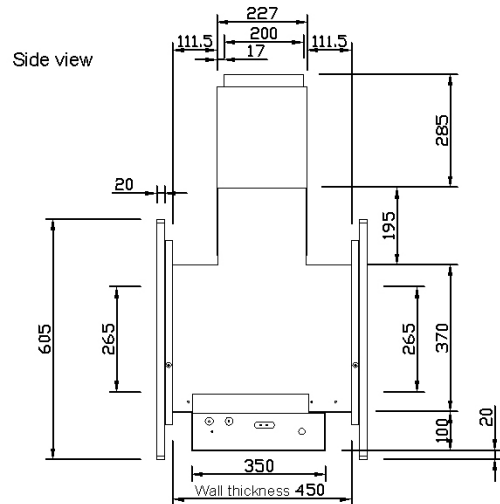
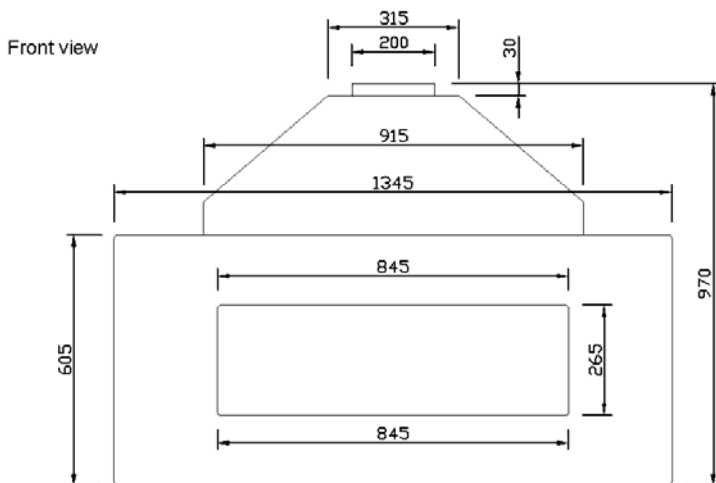
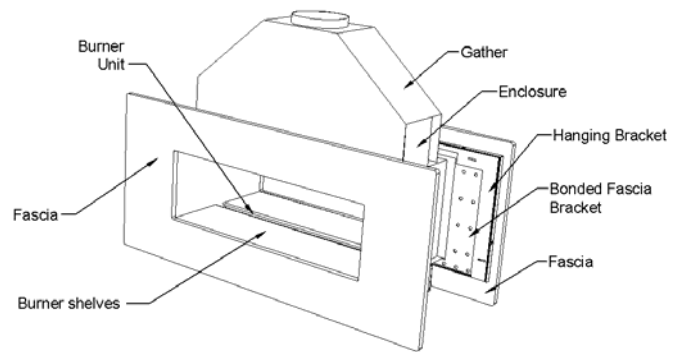
SPECIFICATION SHEET DOUBLE SIDED FIRE RIBBON™

Index # 48, Rev-6

Page 2 of 2



Perspective view



* Note - The Standard wall thickness with stone fascias fitted
The Standard wall thickness with metal fascias fitted is 490mm.

Gathers are optional depending upon installation requirements. If the standard gather is not to be used, the fire must be connected to the inglenook in accordance with CORGI and local regulations. The gather shown is for dimensional purposes only. The gather can be supplied as an optional extra. Please specify when placing your order.

CVO reserve the right to amend and improve any of the specification sheets without prior notice.

All fires are living flames. Sooting can occur as a natural bi-product of a living flame and cannot be controlled or eliminated. Weathering and sooting of the enclosures is a natural and normal occurrence. This, understandably is more obvious on light coloured materials such as white stone and white powder coated steel.

Cast bronze and cast iron are hand sand cast and polished. Pitting and air holes are normal and a part of the unique quality of such a piece.

NOTE - The low-rate on the burner unit has a running noise level due to the nature of the gas flow rate through the valve. This is normal for the size of this fire.



AIRBRICK CHART

Input Energy:	No Airbrick Required
0-7KW	11cm ² free air
8-9KW	36cm ² free air
10-15	50cm ² free air
16-18KW	

KEY

NG - NATURAL GAS
SF - SOLID FUEL
LPG - LIQUID PETROLEUM GAS
ALL DIMENSIONS WITHIN +/- 2mm

Spirit Fires Ltd, 4 Beaumont Square Durham Way South Aycliffe Industrial Park
Newton Aycliffe County Durham DL5 6SW
Tel: +44 (0) 1325 327 221 Fax: +(0)1325 327 292
Email info@cvo.co.uk

www.cvo.co.uk