

SPECIFICATION SHEET

DOUBLE SIDED COMPACT RIBBON - (FIRE RIBBON™)

Index # 49, Rev-4 [1-June-2010]

Page 1 of 2

MATERIAL OPTIONS:

Supplied as a suite with Burner Enclosure and 2 x Fascia.

Burner: for NG or LPG

Enclosure: Polished Steel [NG or LPG], Limestone [NG Only] or Black Granite [NG Only].

Fascia Options: Cream Steel, Black steel, Brushed Stainless, Bronze, Limestone, Black Granite or White Madre Perle

CE APPROVAL:

Currently CE tested, approved and available for the following countries:

NG-I2H-G20-20mBar

UK, EIRE, AUSTRIA, DENMARK, SPAIN, FINLAND, ITALY, NORWAY, PORTUGAL & SWEDEN.

NG-I2E-G20-20mBar

GERMANY, LUXEMBOURG

NG-I2E⁺-G20/G25-20/25mBar

FRANCE, BELGIUM

LPG-I3P(37)-G31-37mBar

UK, EIRE, SPAIN, BELGIUM & PORTUGAL.

DIMENSIONS:

Overall dimensions of fascia/surround:

HEIGHT: 605mm x WIDTH: 980mm x DEPTH: 40mm

Dimensions of standard enclosure Opening:

HEIGHT: 265mm x WIDTH: 518mm

Dimensions of required construction opening:

With Stone Fascias HEIGHT: 870mm x WIDTH: 730mm x DEPTH: 420mm

With Metal Fascias HEIGHT: 870mm x WIDTH: 730mm x DEPTH: 460mm

COMPACT POWER RATING:

High and low flame settings (gas only):

Heat input high: NG - 5.8KW

LPG input high: LPG - 4.9KW

Heat input low: NG - 3.8KW

LPG input low: LPG - 3.9KW

OTHER TECHNICAL INFORMATION:

1. **Gas Types** : Fire available for Natural Gas or LPG/Propane. Specify when ordering.
2. **Control System** : Battery Operated Remote Control with IR Magic Eye and Wall Switch. Full Sequence - ON/OFF & UP/DOWN.
3. **Chimney System** : Class 2 or Minimum 2 meter x 127mm Flue Liner from above top of gather height.
4. **Safety Devices** : ODS (Oxygen Depletion System) and FFD (Flame Failure Device).
5. For air brick requirements please see air brick chart below in relation to high input settings.
6. Approximate running costs per hour on low (subject to your gas supplier tariff): NG - 10.05p, LPG 18.00p.
9. When installing this fire the enclosure and gather must be sealed to the flue.
10. For the builders opening please 50mm gap around the sides and back of the unit for adjustments.
7. There is an option to mix fascia materials on either side, please ask for prices
8. Gather Unit is supplied as standard and must be fitted. Due to the opening on both sides it is likely mechanical extraction will be required it may be possible by using a glass panel on one side of the fire to eliminate the need for a fan. Please consult a flue specialist.
9. Natural Limestone: The limestone supplied by CVO Fire is a natural product and every fascia is different in colour, shading and characteristics. Limestone is a soft material which contains fossils and CVO Fire can control the quantity or pattern. If in doubt about natural stone it is suggested to purchase a uniform stone like madre perle or travertine.
10. **IMPORTANT NOTE: WALL THICKNESS:**
 - a. The standard wall thickness with the stone fascias fitted is 420mm.
 - b. The standard wall thickness with the metal fascias fitted is 460mm.

CVO reserve the right to amend and improve any of the specification sheets without prior notice.

All fires are living flames. Sooting can occur as a natural bi-product of a living flame and cannot be controlled or eliminated. Weathering and sooting of the enclosures is a natural and normal occurrence. This, understandably is more obvious on light coloured materials such as white stone and white powder coated steel.

Cast bronze and cast iron are hand sand cast and polished. Pitting and air holes are normal and a part of the unique quality of such a piece.



AIRBRICK CHART	
Input Energy:	
0-7KW	No Airbrick Required
8-9KW	11cm ² free air
10-15	36cm ² free air
16-18KW	50cm ² free air
KEY	
NG	- NATURAL GAS
SF	- SOLID FUEL
LPG	- LIQUID PETROLEUM GAS
ALL DIMENSIONS WITHIN +/- 2mm	

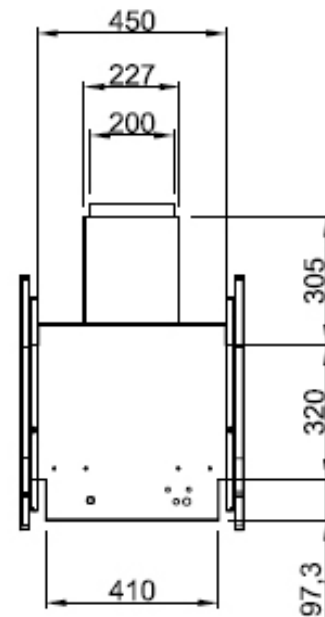
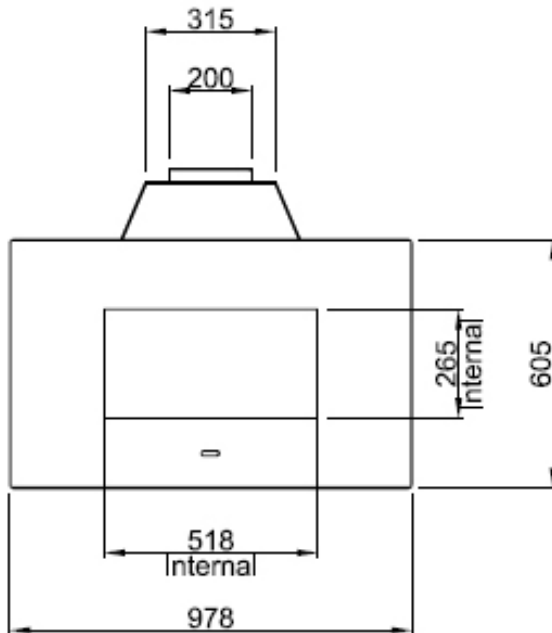
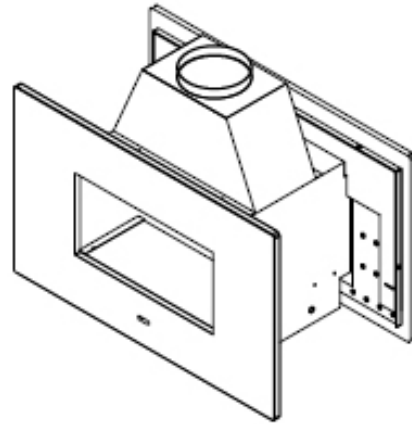
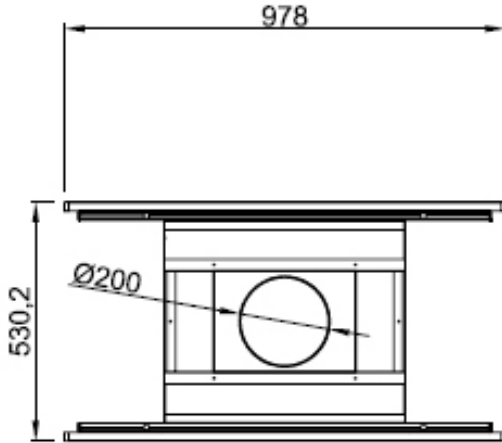
Spirit Fires Ltd, 4 Beaumont Square Durham Way South Aycliffe Industrial Park
 Newton Aycliffe County Durham DL5 6SW
 Tel: +44 (0) 1325 327 221 Fax: +(0)1325 327 292
 Email info@cvo.co.uk

SPECIFICATION SHEET

DOUBLE SIDED COMPACT RIBBON - (FIRE RIBBON™)

Index # 49, Rev-4 [1-June-2010]

Page 2 of 2



CVO reserve the right to amend and improve any of the specification sheets without prior notice.

All fires are living flames. Sooting can occur as a natural bi-product of a living flame and cannot be controlled or eliminated. Weathering and sooting of the enclosures is a natural and normal occurrence. This, understandably is more obvious on light coloured materials such as white stone and white powder coated steel.

Cast bronze and cast iron are hand sand cast and polished. Pitting and air holes are normal and a part of the unique quality of such a piece.



AIRBRICK CHART	
Input Energy:	
0-7KW	No Airbrick Required
8-9KW	11cm ² free air
10-15	36cm ² free air
16-18KW	50cm ² free air
KEY	
NG	- NATURAL GAS
SF	- SOLID FUEL
LPG	- LIQUID PETROLEUM GAS
ALL DIMENSIONS WITHIN +/- 2mm	

Spirit Fires Ltd, 4 Beaumont Square Durham Way South Aycliffe Industrial Park
 Newton Aycliffe County Durham DL5 6SW
 Tel: +44 (0) 1325 327 221 Fax: +(0)1325 327 292
 Email info@cvo.co.uk