

## SPECIFICATION SHEET FIRE RIVER™ - (Fire Ribbon™)

Page 1 of 3

Index Number : 54, Rev-10

### MATERIAL OPTIONS:

This fireplace is supplied as a complete fireplace suite with gas burner, enclosure and remote control system. There is an optional gather and trim available upon request. The remote control is fully sequenced with on/off and up/down. The fire is available for Natural Gas or LPG/Propane and this must be specified when ordering. The enclosure is made from High Quality Brushed Stainless Steel.



### CE APPROVAL:

Currently CE tested, approved and available for the following countries:

- NG-I2H-G20-20mBar - UK, EIRE, AUSTRIA, DENMARK, SPAIN, FINLAND, ITALY, NORWAY, PORTUGAL & SWEDEN.
- NG-I2E-G20-20mBar - GERMANY, LUXEMBOURG
- NG-I2E<sup>+</sup>-G20/G25-20/25mBar - FRANCE, BELGIUM
- LPG-I3P(37)-G31-37mBar - UK, EIRE, ITALY, SPAIN, BELGIUM & PORTUGAL.

### DIMENSIONS:

- Overall dimensions of optional fascia: HEIGHT: 403mm x WIDTH: 1000mm x DEPTH: 10mm
- Dimensions of the enclosure opening: HEIGHT: 265mm x WIDTH: 860mm x DEPTH: 395mm
- Dimensions of required construction opening without Gather: HEIGHT: 465mm x WIDTH: 925mm x DEPTH: 410mm
- Dimensions of required construction opening with Gather: HEIGHT: 1000mm x WIDTH: 925mm x DEPTH: 410mm

### FIRE RIVER POWER RATING:

High and low flame settings (gas only):

Heat input high: NG - 14KW / LPG or Propane - 18.5KW

Heat input low: NG - 7KW / LPG or Propane - 8KW

### OTHER TECHNICAL INFORMATION:

1. The gas burner is available for NG or LPG/Propane - specify when ordering.
2. Fire is fitted with ODS (Oxygen Depletion System) and FFD (Flame Failure Device) for safety.
3. For use with Class 1 chimneys or flues (with or without mechanical extraction) with an internal free area no less than 240cm<sup>2</sup>. For Natural Gas the minimum length is 2m, for LPG the minimum length is 3m.
4. It is advised on old chimneys that it is swept and tested prior to installation by a registered chimney sweep.
5. For air brick requirements please see air brick chart below in relation to high input settings.
6. Approximate running costs per hour on low (subject to your gas supplier tariff): NG - 12.48p, LPG - 29.34p.
7. The remote control system requires a 240v, 3amp fused spur.
8. Gather:
  - a. The gather unit is optional however CVO recommend buying the gather as it forms a unit with the enclosure and will prevent debris falling down the chimney.
  - b. If a flue liner is being used then the gather will also be required.
  - c. Please check with the installer if a gather is required as it is advised to order this with the fire to ensure there are no onsite delays due to placing an additional order.
  - d. If the standard gather is not to be used, the fire must be connected to the inglenook in accordance with GAS SAFE regulations.
  - e. IMPORTANT NOTE: The NG version has a 175mm Spigot and the LPG has a 200mm Spigot
9. When installing this fire into an existing chimney with or without a flue liner the enclosure must be sealed to the chimney to ensure that air cannot flow behind the enclosure. Failure to do this will result in serious damage to the burner unit and enclosure. It is recommended to buy the standard gather with the fire.
10. See attached technical drawings - with and without trim.

Spirit Fires Limited reserve the right to amend and improve any of the specification sheets without prior notice.

All fires are living flames. Sooting can occur as a natural bi-product of a living flame and cannot be controlled or eliminated. Weathering and sooting of the enclosures is a natural and normal occurrence. This, understandably is more obvious on light coloured materials such as white stone and white powder coated steel.


Cast bronze and cast iron are hand sand cast and polished. Pitting and air holes are normal and a part of the unique quality of such a piece.

NOTE - The low-rate on the burner unit has a running noise level due to the nature of the gas flow rate through the valve. This is normal for the size of this fire.

www.spiritfires.co.uk

AIRBRICK CHART	
Input Energy:	
0-7KW	No Airbrick Required
8-9KW	11cm <sup>2</sup> free air
10-15	36cm <sup>2</sup> free air
16-18KW	50cm <sup>2</sup> free air
KEY	
NG - NATURAL GAS	
SF - SOLID FUEL	
LPG - LIQUID PETROLEUM GAS	
ALL DIMENSIONS WITHIN +/- 2mm	

Spirit Fires Ltd, 4 Beaumont Square Durham Way South Aycliffe Industrial Park  
Newton Aycliffe County Durham DL5 6XN  
Tel: +44 (0) 1325 327 221 Fax: +(0)1325 327 292  
Email info@cvo.co.uk

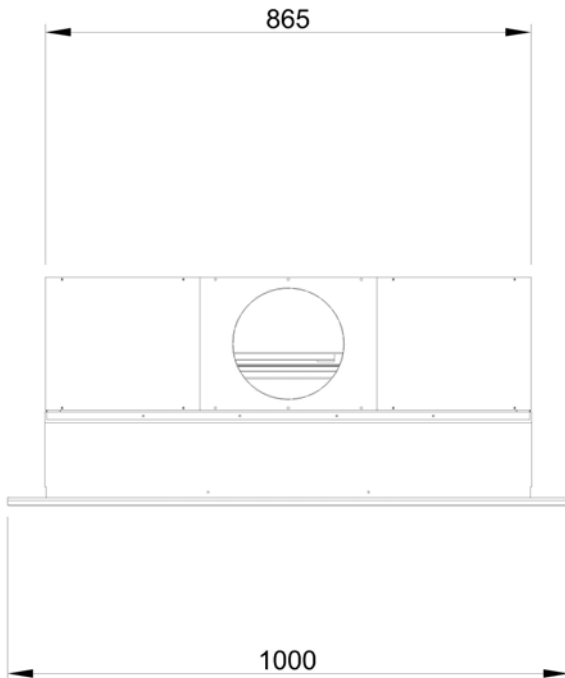
Spirit Fires Incorporates the full CVO Fire range of Fires. For more details contact above or visit [www.cvo.co.uk](http://www.cvo.co.uk)  
**CVO FIRE** 

## SPECIFICATION SHEET FIRE RIVER™ - (Fire Ribbon™)

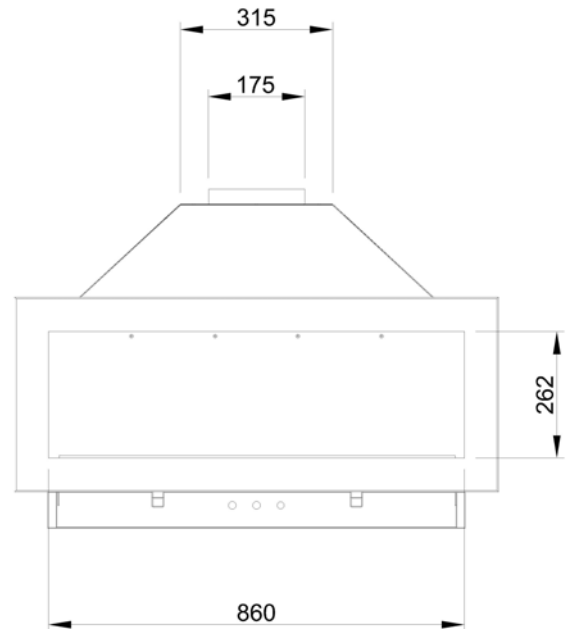
Page 2 of 3

Index Number : 54, Rev-10

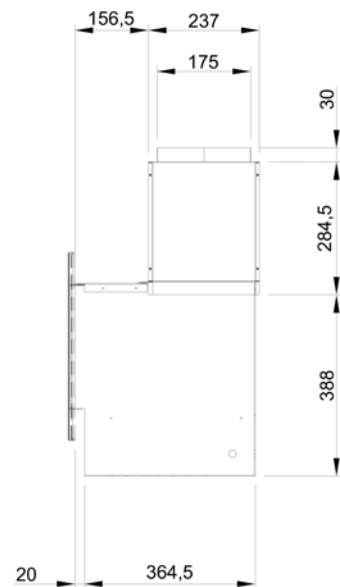
Top View



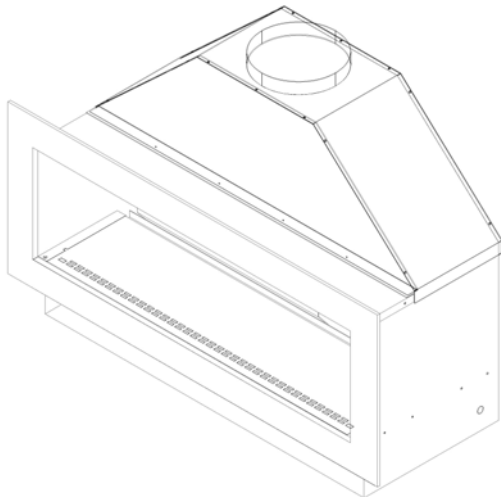
Front View



Side View



Perspective View



Spirit Fires Limited reserve the right to amend and improve any of the specification sheets without prior notice.

All fires are living flames. Sooting can occur as a natural bi-product of a living flame and cannot be controlled or eliminated. Weathering and sooting of the enclosures is a natural and normal occurrence. This, understandably is more obvious on light coloured materials such as white stone and white powder coated steel.

Cast bronze and cast iron are hand sand cast and polished. Pitting and air holes are normal and a part of the unique quality of such a piece.

NOTE - The low-rate on the burner unit has a running noise level due to the nature of the gas flow rate through the valve. This is normal for the size of this fire.

[www.spiritfires.co.uk](http://www.spiritfires.co.uk)

AIRBRICK CHART	
Input Energy:	
0-7KW	No Airbrick Required
8-9KW	11cm <sup>2</sup> free air
10-15	36cm <sup>2</sup> free air
16-18KW	50cm <sup>2</sup> free air
<b>KEY</b>	
NG - NATURAL GAS	
SF - SOLID FUEL	
LPG - LIQUID PETROLEUM GAS	
ALL DIMENSIONS WITHIN +/- 2mm	

Spirit Fires Ltd, 4 Beaumont Square Durham Way South Aycliffe Industrial Park  
Newton Aycliffe County Durham DL5 6XN  
Tel: +44 (0) 1325 327 221 Fax: +(0)1325 327 292  
Email [info@cvo.co.uk](mailto:info@cvo.co.uk)

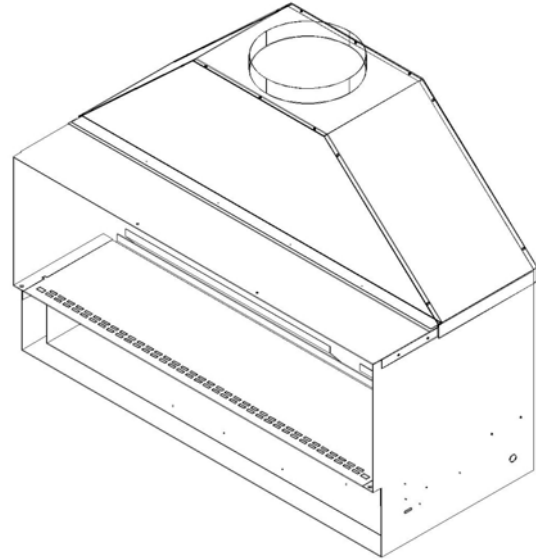
Spirit Fires Incorporates the full CVO Fire range of Fires. For more details contact above or visit [www.cvo.co.uk](http://www.cvo.co.uk)

## SPECIFICATION SHEET FIRE RIVER™ - (Fire Ribbon™)

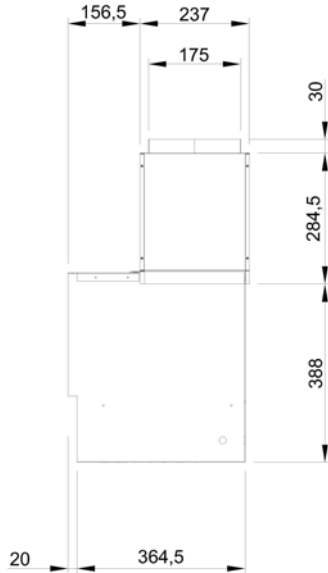
Page 3 of 3

Index Number : 54, Rev-10

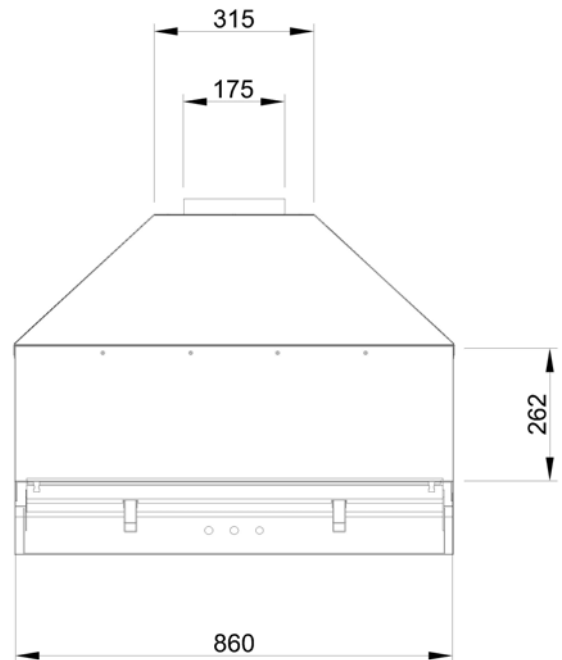
Perspective View



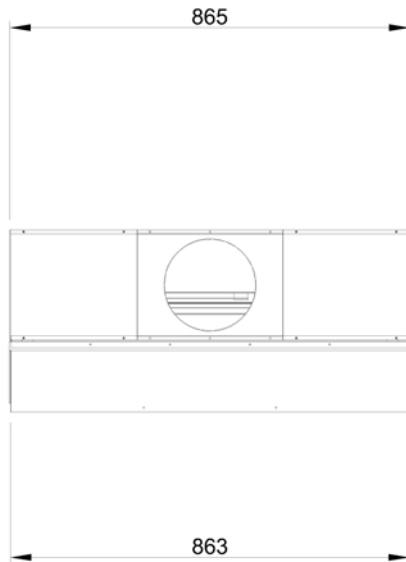
Side View



Front View



Top View



Spirit Fires Limited reserve the right to amend and improve any of the specification sheets without prior notice.

All fires are living flames. Sooting can occur as a natural bi-product of a living flame and cannot be controlled or eliminated. Weathering and sooting of the enclosures is a natural and normal occurrence. This, understandably is more obvious on light coloured materials such as white stone and white powder coated steel.

Cast bronze and cast iron are hand sand cast and polished. Pitting and air holes are normal and a part of the unique quality of such a piece.

NOTE - The low-rate on the burner unit has a running noise level due to the nature of the gas flow rate through the valve. This is normal for the size of this fire.

[www.spiritfires.co.uk](http://www.spiritfires.co.uk)

AIRBRICK CHART	
Input Energy:	
0-7KW	No Airbrick Required
8-9KW	11cm <sup>2</sup> free air
10-15	36cm <sup>2</sup> free air
16-18KW	50cm <sup>2</sup> free air
KEY	
NG - NATURAL GAS	
SF - SOLID FUEL	
LPG - LIQUID PETROLEUM GAS	
ALL DIMENSIONS WITHIN +/- 2mm	

Spirit Fires Ltd, 4 Beaumont Square Durham Way South Aycliffe Industrial Park  
Newton Aycliffe County Durham DL5 6XN  
Tel: +44 (0) 1325 327 221 Fax: +(0)1325 327 292  
Email [info@cvo.co.uk](mailto:info@cvo.co.uk)

Spirit Fires Incorporates the full CVO Fire range of Fires. For more details contact above or visit [www.cvo.co.uk](http://www.cvo.co.uk)