

SPECIFICATION SHEET

FIRE LINE [Flueless] - Widescreen Fascia Option

Index # 57, Rev-3 (7-Feb-07)

Page 1 of 2

MATERIAL OPTIONS:

FASCIA OPTIONS:

1. Stone is cut in 4pcs - Limestone, White Madre Perle, African Black Granite
2. Other Fascia Materials and Colours upon request.

CE APPROVAL:

Gas Category	Natural Gas				LPG		
	I _{2H}	I _{2E}	I _{2E+}	I _{2L}	I _{3P(37)}	I _{3B/P(30)}	I ₃₊
Gas Type	G20	G20	G20/G25	G25	G31	G30/G31	G30/G31
Supply Pressure (mbar)	20	20	20/25	25	37	30	28-30/37
Countries of Destination	AT, CH, CZ, DK, ES, FI, GB, GR, IE, IT, NO, PT, SE	DE, LU	BE, FR	NL	ES, GB, GR, IE, IT, PT	CH, CZ, DK, FI, GR, NL, NO, SE	BE, CH, CZ, ES, FR, GB, GR, IE, IT, PT

INLET POWER, ROOM INTERNAL SPACE AND FREE AIR VENT

Gas Type	Fire Version	Internal Space	Free Air Vent	Running Cost
Natural Gas [G20]	2.7 Kw / 2.0 Kw	27 m ³	100 cm ²	6.5p/Hour *
Natural Gas [G20/G25]	3.5 Kw / 2.7 Kw	35 m ³	125 cm ²	8.4p/Hour *
LPG	3.5 Kw / 2.3 Kw	35 m ³	125 cm ²	21p/Hour **

* Based on approximate figures as gas prices are variable.

** Based on a 47Kg Bottle at £39.99/Bottle.

DIMENSIONS:

Overall dimensions of the surround:

HEIGHT: 705mm x WIDTH: 1080mm x DEPTH: 167mm (stone fascia).

Dimensions of standard enclosure opening:

HEIGHT: 265mm x WIDTH: 580mm x DEPTH: 137mm

OTHER TECHNICAL INFORMATION:

1. For Room Size and Ventilation see above table.
2. The vent must be positioned at least 1m away from the appliance
3. Easy Installation as simple Hung on Wall Design
4. Recess Backing Plate available to recess the fire into the wall. Please ask for details.
5. For volume purchases different Fascia materials, colours and sizes will be considered
6. The fire must not be used in an internal space of less than as specified above, adjoining spaces not separated by a door may be included, e.g. approx 2.5 x 4 x 4.5m. To convert from cubic feet (ft³) to cubic metre (m³), divide the room's volume in cubic feet by 35.3.
7. Rosal Limestone is a soft material which contains fossils, of which the quantity is not controllable. It is very absorbent and is easily marked by liquids and soot which is a natural by-product of a living flame.
8. The Fire can be purchased to operate on NG or LPG. Please specify when ordering.
9. Ignition is via a Manual Control System positioned in the lower right corner of the fire.

CVO reserve the right to amend and improve any of the specification sheets without prior notice.

All fires are living flames. Sooting can occur as a natural bi-product of a living flame and cannot be controlled or eliminated. Weathering and sooting of the enclosures is a natural and normal occurrence. This, understandably is more obvious on light coloured materials such as white stone and white powder coated steel.

Cast bronze and cast iron are hand sand cast and polished. Pitting and air holes are normal and a part of the unique quality of such a piece.



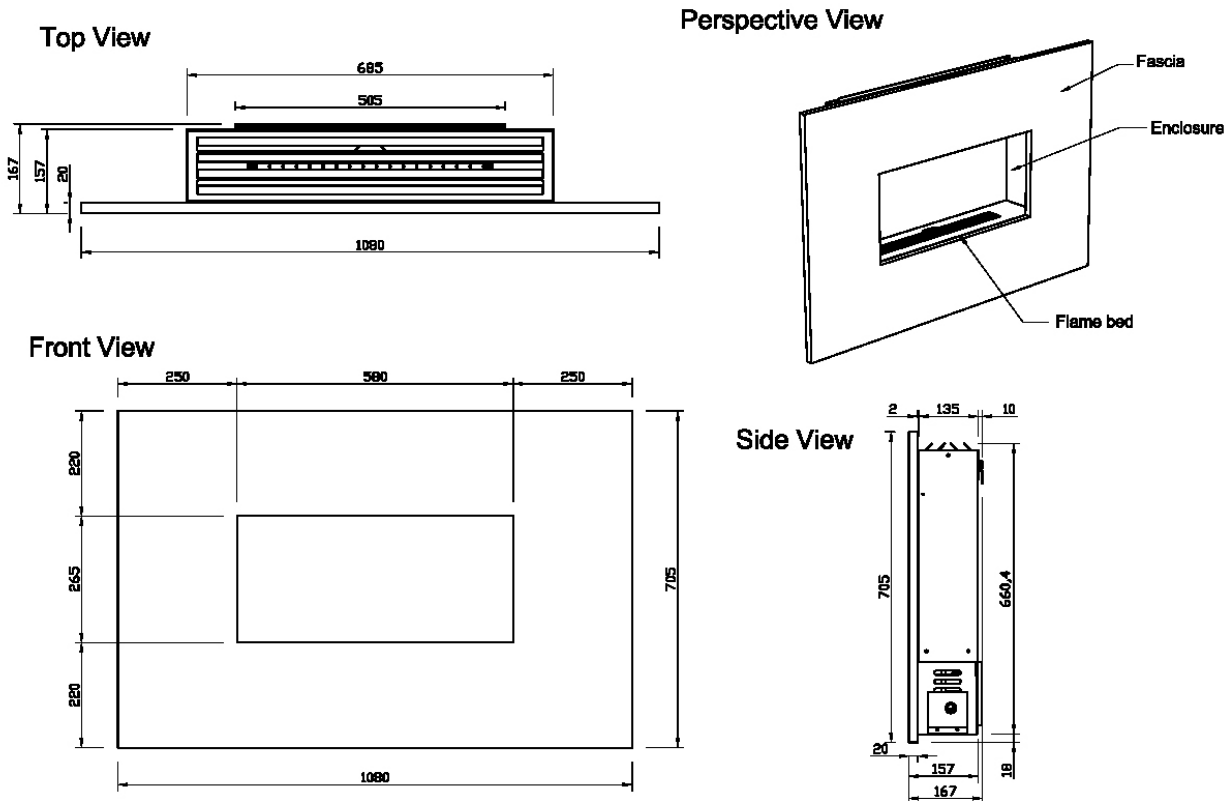
Spirit Fires Ltd, 4 Beaumont Square Durham Way South Aycliffe Industrial Park
 Newton Aycliffe County Durham DL5 6SW
 Tel: +44 (0) 1325 327 221 Fax: +(0)1325 327 292
 Email info@cvo.co.uk

SPECIFICATION SHEET

FIRE LINE [Flueless] - Widescreen Fascia Option

Index # 57, Rev-3 (7-Feb-07)

Page 2 of 2



All dimensions are within +/- 2mm.

Above drawing is for dimensions only! Stone supplied is cut in 4pcs if in doubt refer to website for images of the fire - www.cvo.co.uk

CVO reserve the right to amend and improve any of the specification sheets without prior notice.

All fires are living flames. Sooting can occur as a natural bi-product of a living flame and cannot be controlled or eliminated. Weathering and sooting of the enclosures is a natural and normal occurrence. This, understandably is more obvious on light coloured materials such as white stone and white powder coated steel.

Cast bronze and cast iron are hand sand cast and polished. Pitting and air holes are normal and a part of the unique quality of such a piece.



Spirit Fires Ltd, 4 Beaumont Square Durham Way South Aycliffe Industrial Park
 Newton Aycliffe County Durham DL5 6SW
 Tel: +44 (0) 1325 327 221 Fax: +(0)1325 327 292
 Email info@cvo.co.uk