

SMALL OVAL GAS FIRE BOWL with DOUBLE SIDED ENCLOSURE

Index # 60, Rev-3 / Page 1 of 2

CVO Fire : 01325-301020 : www.cvo.co.uk : sales@cvo.co.uk

MATERIAL OPTIONS:

- FIRE BOWL: White Cast Stone, Black Cast Stone, Hand Polished Aluminium or Hand Polished Bronze.
- ENCLOSURE: Black Steel, Brushed Steel, Natural Stone & Hand Polished Bronze.
- TRIM: There is an option to add a natural stone trim to the enclosure.

CE APPROVAL:

The appliance is CE approved for the following gas categories. Due to European Community regulations this allows us to ship the fire to any member state.

NATURAL GAS

- NG-I2H-G20-20mBar
- NG-I2E-G20-20mBar
- NG-I2E⁺-G20/G25-20/25mBar
- NG-I2L-G25-25mBar

LPG/PROPANE

- LPG - I3P(30) - G31 - 30mBar
- LPG-I3P-G31-37mBar
- LPG - I3P(50) - G31 - 50mBar



DIMENSIONS:

Overall dimensions of the fire bowl: NG/LPG HEIGHT: 198mm x WIDTH: 490mm x DEPTH: 340mm

Overall dimensions of the surround: NG/LPG HEIGHT: 719mm x WIDTH: 826mm x DEPTH: 2mm

Dimensions of enclosure opening [viewed from front]: NG/LPG HEIGHT: 539mm x WIDTH: 646mm x DEPTH: 769mm

Dimensions of required construction opening: NG/LPG HEIGHT: 850mm x WIDTH: 670mm x DEPTH: 765mm

SMALL OVAL POWER RATING:

There are two power versions available, unless specified at the time of order a low power version will be supplied.

NATURAL GAS = HIGH POWER VERSION = 9.5KW, LOW POWER VERSION = 7.4KW

LPG/PROPANE = HIGH POWER VERSION = 9.5KW, LOW POWER VERSION = 7.0KW

OTHER TECHNICAL INFORMATION:

1. The Fire Bowl is available to buy as a separate item if required and is available for Natural Gas or LPG/Propane.
2. When using this as a Double Sided or See Through fireplace specialist extraction and possibly a fan system will be needed to ensure the fire operates safely. Before considering this type of design consult a flue specialist. CVO can provide the enclosure with a glass panel fitted on one side to retain the visual aspect but reduce the need for the fan system. Ask for details.
3. The fire is CE approved with a chimney equivalent to 3m x 200mm Flue Liner.
4. The enclosure is supplied with a gather with a 200mm spigot to fit the flue liner.
5. This is a high power appliance and requires fresh air room ventilation for combustion. The high power will also mean that there will be a high gas rate and possible noise.
6. The gas fire bowl is fitted with safety devices in line with CE regulations.
7. The gas fire bowl is operated by a manual control ignition system; remote control is available upon request.
8. The gas fire bowl is supplied with the inlet gas pipe exiting from the rear, this can be routed through the base of the fire bowl if required at additional cost. Please discuss when ordering.
9. The gas fire must be installed by a qualified GAS SAFE engineer.
10. This appliance requires a strong gas supply to ensure it operates reliably and safely. Gas pipe work needs to be able to supply a minimum of **0.95m³/h Natural Gas** or **0.3m³/h LPG/Propane** with the appliance on full rate.
11. See attached dimensions.
12. To order or discuss this technical specification please call 01325-301020.

=====
CVO reserve the right to amend and improve the specification sheets without prior notice. If in doubt about any aspect of this specification please call. The specification is not to be used to install the fireplace. Every fire is supplied with an official install booklet. Spirit Fires Limited own the Spirit, CVO and FIREVAULT Trademarks. Copying and distribution of these specifications is not permitted without the permission of Spirit Fires Ltd. All dimensions include a +/-2mm tolerance.

Spirit Fires Ltd, 4 Beaumont Square, Durham Way South, Newton Aycliffe County Durham, DL5 6XN

Sales: +44 (0)1325-301020 Office: +44 (0) 1325 327 221 Fax: +(0)1325 327 292 Email: sales@cvo.co.uk Web: www.cvo.co.uk

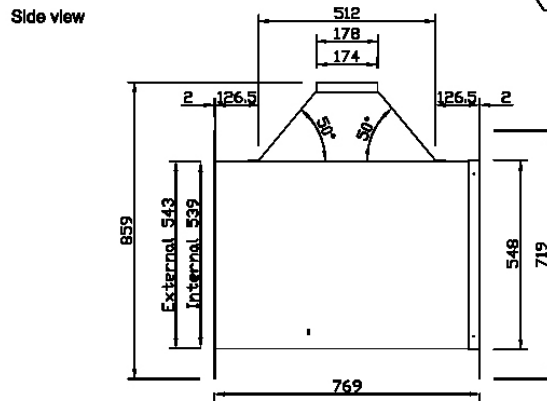
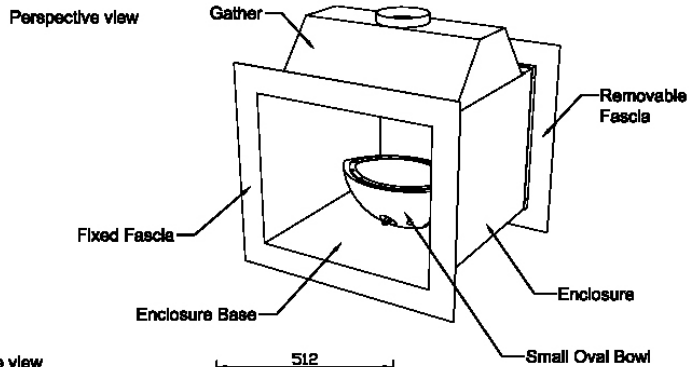
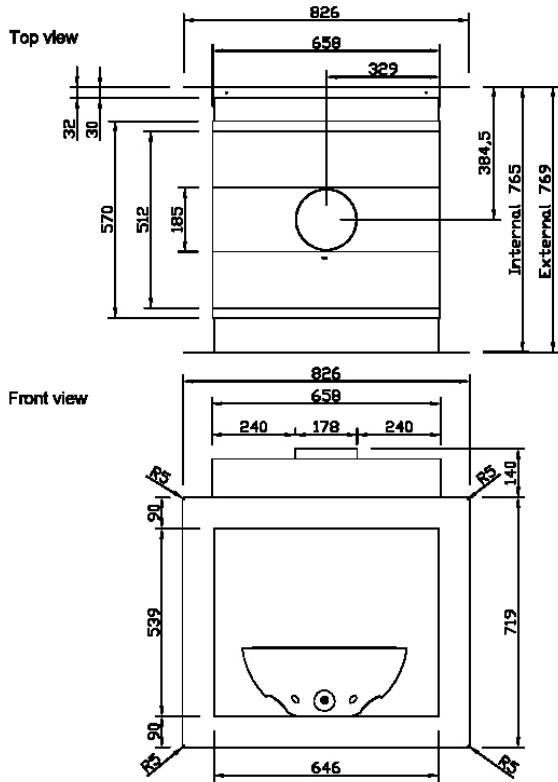
SHOWROOM: CVO Fires can be seen live in our FIREVAULT showrooms based in the North and South of the UK.

Visit www.firevault.co.uk or call 01325-301020 for full contact details, location maps and directions.

SMALL OVAL GAS FIRE BOWL with DOUBLE SIDED ENCLOSURE

Index # 60, Rev-3 / Page 2 of 2

CVO Fire : 01325-301020 : www.cvo.co.uk : sales@cvo.co.uk



=====
CVO reserve the right to amend and improve the specification sheets without prior notice. If in doubt about any aspect of this specification please call. The specification is not to be used to install the fireplace. Every fire is supplied with an official install booklet. Spirit Fires Limited own the Spirit, CVO and FIREVAULT Trademarks. Copying and distribution of these specifications is not permitted without the permission of Spirit Fires Ltd. All dimensions include a +/-2mm tolerance.

Spirit Fires Ltd, 4 Beaumont Square, Durham Way South, Newton Aycliffe County Durham, DL5 6XN
Sales: +44 (0)1325-301020 Office: +44 (0) 1325 327 221 Fax: +(0)1325 327 292 Email: sales@cvo.co.uk Web: www.cvo.co.uk

SHOWROOM: CVO Fires can be seen live in our FIREVAULT showrooms based in the North and South of the UK. Visit www.firevault.co.uk or call 01325-301020 for full contact details, location maps and directions.