

SPECIFICATION SHEET

LARGE OVAL FIREBOWL WITH DOUBLE SIDED ENCLOSURE

Index # 61, Rev-1

Page 1 of 2

MATERIAL OPTIONS:

FIRE BOWL MATERIALS: White Cast Stone, Black Cast Stone, Hand Polished Aluminium or Hand Polished Bronze.

ENCLOSURE: Black Steel, Rosal Limestone, White Madre Perle, Black Granite, Hand Polished Bronze, Brushed Stainless Steel.

ENCLOSURE FASCIA OPTIONS - The Metal Enclosure has an option to fit a 4pc Fascia made of Stone.

CE APPROVAL:

Currently CE tested, approved and available for the following countries:

NG - I2H - G20 - 20mBar

UK, EIRE, AUSTRIA, DENMARK, SPAIN, FINLAND, ITALY, PORTUGAL & SWEDEN

NG - I2E - G20 - 20mBar

GERMANY, LUXEMBOURG

NG - I2E+ - G20/G25 - 20/25mBar

FRANCE & BELGIUM

NG - I2L - G25 - 25mBar

NETHERLANDS

LPG - I3P(37) - G31 - 37mBar

UK, EIRE, NETHERLANDS, FRANCE, SPAIN, PORTUGAL & ITALY

DIMENSIONS:

Overall dimensions of the surround:

NG/LPG HEIGHT: 618mm x WIDTH: 1200mm x DEPTH: 2mm

Overall dimensions of the fire:

NG/LPG HEIGHT: 210mm x WIDTH: 700mm x DEPTH: 440mm

Dimensions of standard enclosure:

NG/LPG HEIGHT: 618mm x WIDTH: 840mm x DEPTH: 924mm

Dimensions of required construction opening:

NG/LPG HEIGHT: 900mm x WIDTH: 900mm x DEPTH: 920mm

SF HEIGHT: 900mm x WIDTH: 900mm x DEPTH: 920mm

LARGE OVAL POWER RATING:

High and low flame setting (gas only):

Heat input high: NG - 12.9KW LPG - 14.3KW

Heat input low: NG - 9.2KW LPG - 9KW

OTHER TECHNICAL INFORMATION:

1. Bowl sold separately if required.
2. Rosal Limestone is a soft material which contains fossils, of which the quantity is not controllable. It is very absorbent and is easily marked by liquids and soot which is a natural by-product of a living flame.
3. Fire available in NG or LPG.
4. ODS (Oxygen Depletion System) to monitor oxygen levels in the room (gas only).
5. This type of "double sided" installation will require special flue requirements and possibly mechanical extraction to operate safely. If the Flue system is not strong enough to ensure the fire operates safely additional glass panels may need to be fitted during installation. Seek advice from a Flue Specialist. Spirit Fires Ltd will not accept responsibility for the unsuitable installation of this fire.
6. This Fire must be used with an Air Brick.
7. For air brick requirements please see air brick cross reference chart below.
8. Approximate running cost per hour on low (subject to your gas supplier tariff): NG - 10.3p LPG - 29.34p.
9. Ignition is via a Manual Control System.
10. Metal Enclosure - Gather is supplied as Standard.

CVO reserve the right to amend and improve any of the specification sheets without prior notice.

NOTE - The low-rate on the burner unit has a running noise level due to the nature of the gas flow rate through the valve. This is normal for the size of this fire.

All fires are living flames. Sooting can occur as a natural bi-product of a living flame and cannot be controlled or eliminated. Weathering and sooting of the enclosures is a natural and normal occurrence. This, understandably is more obvious on light coloured materials such as white stone and white powder coated steel.

Cast bronze and cast iron are hand sand cast and polished. Pitting and air holes are normal and a part of the unique quality of such a piece.



AIRBRICK CHART	
Input Energy:	No Airbrick Required
0-7KW	11cm ² free air
8-9KW	36cm ² free air
10-15	50cm ² free air
16-18KW	
KEY	
NG - NATURAL GAS	
SF - SOLID FUEL	
LPG - LIQUID PETROLEUM GAS	
ALL DIMENSIONS WITHIN +/- 2mm	

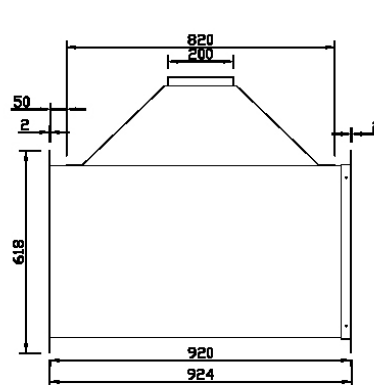
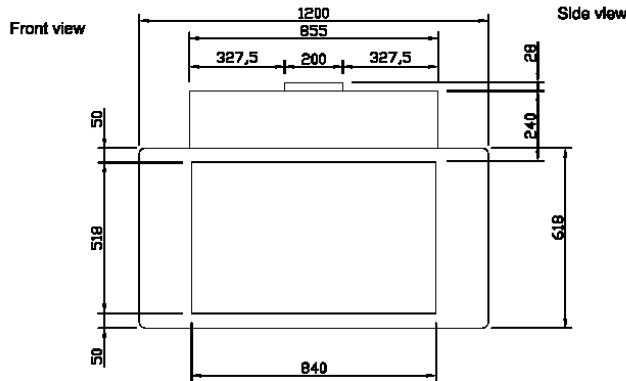
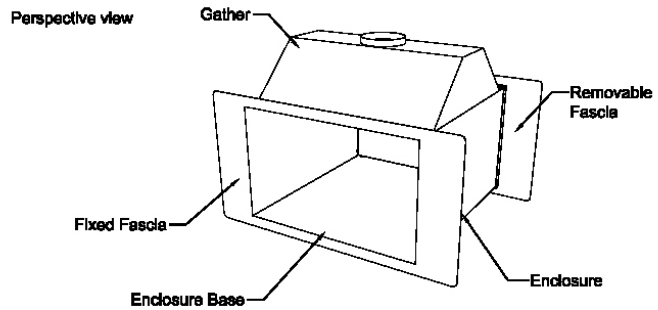
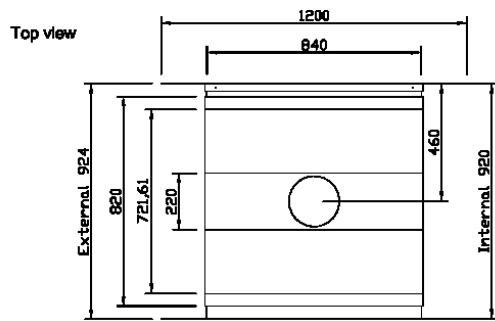
Spirit Fires Ltd, 4 Beaumont Square Durham Way South Aycliffe Industrial Park
 Newton Aycliffe County Durham DL5 6SW
 Tel: +44 (0) 1325 327 221 Fax: +(0)1325 327 292
 Email info@cvo.co.uk

SPECIFICATION SHEET

LARGE OVAL FIREBOWL WITH DOUBLE SIDED ENCLOSURE

Index # 61, Rev-1

Page 2 of 2



Gathers are optional depending upon installation requirements. If the standard gather is not to be used, the fire must be connected to the enclosure in accordance with CORGI and local regulations. The gather shown is for dimensional purposes only. The gather can be supplied as an optional extra. Please specify when placing your order.

CVO reserve the right to amend and improve any of the specification sheets without prior notice.

NOTE - The low-rate on the burner unit has a running noise level due to the nature of the gas flow rate through the valve. This is normal for the size of this fire.

All fires are living flames. Sooting can occur as a natural bi-product of a living flame and cannot be controlled or eliminated. Weathering and sooting of the enclosures is a natural and normal occurrence. This, understandably is more obvious on light coloured materials such as white stone and white powder coated steel.

Cast bronze and cast iron are hand sand cast and polished. Pitting and air holes are normal and a part of the unique quality of such a piece.



AIRBRICK CHART	
Input Energy:	
0-7KW	No Airbrick Required
8-9KW	11cm ² free air
10-15	36cm ² free air
16-18KW	50cm ² free air

KEY	
NG	- NATURAL GAS
SF	- SOLID FUEL
LPG	- LIQUID PETROLEUM GAS
ALL DIMENSIONS WITHIN +/- 2mm	

Spirit Fires Ltd, 4 Beaumont Square Durham Way South Aycliffe Industrial Park
 Newton Aycliffe County Durham DL5 6SW
 Tel: +44 (0) 1325 327 221 Fax: +(0)1325 327 292
 Email info@cvo.co.uk