



OVAL GEL BOWL – Freestanding Gel Fire

ASSEMBLY AND USER INSTRUCTIONS



For use with Spirit Fires Approved Fire Gel ONLY

THIS IS A DECORATIVE FIRE ONLY AND IS NOT TO BE USED AS A PRIMARY HEAT SOURCE FOR A ROOM OR PROPERTY. ENSURE THAT YOU READ THROUGH THIS INSTRUCTION MANUAL FULLY BEFORE INSTALLATION AND USE

Order Number

Please quote this order number when contacting Spirit Fires. Your Warranty is valid for 1 Year from date of delivery. The Warranty card supplied is to be filled in and sent to the address below.

Spirit Fires Limited. 4 Beaumont Square, Aycliffe Industrial Park, Newton Aycliffe, County Durham, DL5 6SW.

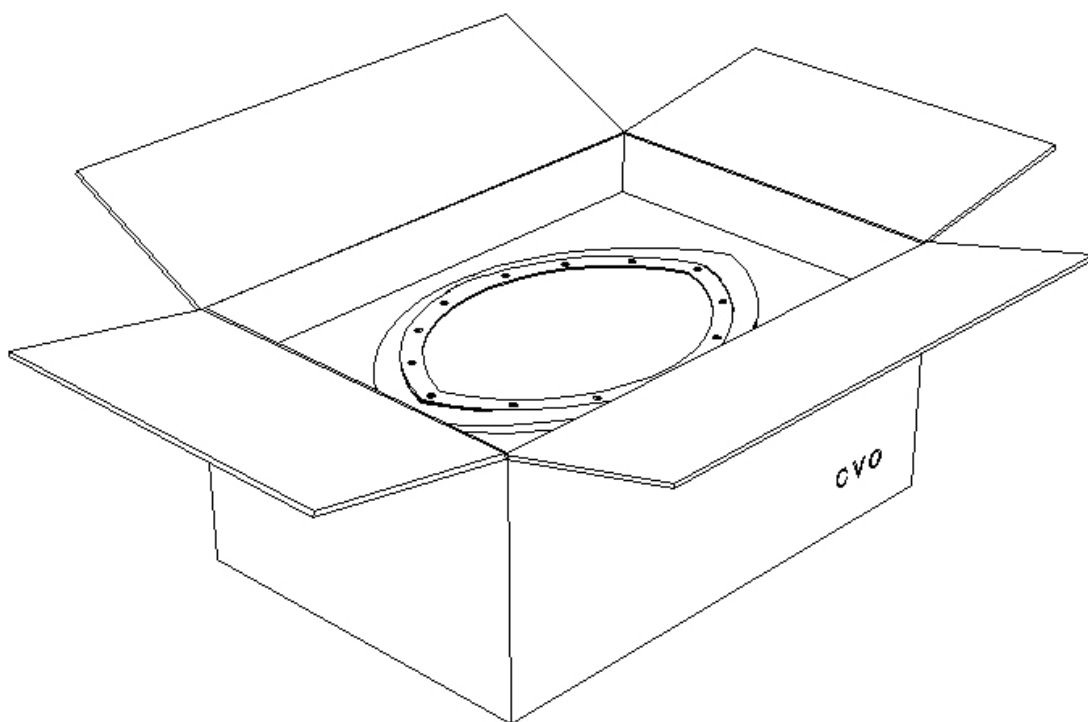
Note: Bio-Ethanol Version is only available for orders placed after the 15-Oct-2008. Previous versions have no secondary fuel bed and are suitable for Gel Fuel Only.

Unpacking the Appliance

Read these instructions fully before proceeding

Carefully examine the carton for damage before unpacking. If it is obviously damaged, consult the supplier over whether to proceed.

Remove the fire and examine its general condition. If satisfied by the condition proceed with the installation.



Installation Instructions

General

- The installation must also be in accordance with the relevant parts of local and national building regulations.
- Soft furnishings, decorations and wall coverings etc. must not be placed within 1.5 metres of the appliance and its outlets.
- This Fire Bowl was designed for use with Bio-Ethanol or Bio-Alcohol Fuel which is a clear liquid Bio-Fuel. This is available from a number of sources. This is the most cost effective way of using the Bowl.
- The Bowl can be used with Gel however the fuel bed stones must be removed first and the running time will be greatly effected.
- Sooting: All fires are living flames and sooting can occur as a natural bi-product of a living flame fire, this factor cannot be controlled or eliminated.
- Ventilation Requirements: Adequate ventilation should be available to disperse any fumes and excess heat generated by the fire.
- Installation within an Enclosure: The Enclosure must be of an adequate size and shape to ensure the safe operation of the fire with heat or flame damage. The Enclosure Material must be made of flame retardant material inline with Building Regulations. Great care must be taken in choosing the enclosure.
- Running Times : Bio-Ethanol Liquid will burn for a longer time than Bio-Gel Fuel.
- Ensure that the area designated for Gel Bowl is well ventilated
- Be aware of curtains etc. that could be blown towards the appliance.
- **The fire is intended as a secondary heat source and should not be used as a primary heat source.** Check that a primary heat source (such as radiators) is present in the room. If insufficient primary heat is being used there may be a build up of condensation.
- The fire must not be used in rooms where the atmosphere is likely to contain water or chemical vapours that may adversely affect the appliance or its finish.

- Do not use while painting or decorating, or in newly decorated rooms as the residue can lead to unpleasant smells from the appliance. Always cover or have the appliance removed while decorating.
- This appliance does not contain Asbestos.
- **Ensure that the base provided is securely attached to the bowl before use**

IF fitting in an existing fireplace:

- The builders opening or fireplace opening must be constructed of a non-combustible material.
- For some countries a non-combustible hearth must be fitted in front of the fire in accordance with National Regulations (e.g. United Kingdom).
- **NOTE:** If the chimney is not swept, there is a possibility that loose debris will fall onto the appliance which may result in damage and unnecessary service costs.

IF using outdoors:

- When using the fire outside it must be placed in a safe position on a solid surface.
- Great Care must be taken as in bright sunlight conditions the flame may not be visible.
- The Bowl must NEVER be moved when lit.
- Flame may become unstable if used in windy conditions.
- When outside the fire must be attended at all times to avoid elderly or children getting too close to the fire.

CLEARANCE TO COMBUSTIBLE MATERIALS AND SHELVES

As with all flueless fires the possibility of convection staining on surfaces in the vicinity above the fire outlet should be expected.

Particular attention should be taken to ensure soft furnishings such as scatter cushions, rugs and curtains are kept at least 1.5 metres from the appliance.

Material of any description should not be thrown on to the fuel bed.

USER INSTRUCTIONS

- This Fire Bowl was designed for use with Bio-Ethanol or Bio-Alcohol. If Gel Fuel is to be used the Fuel Bed Stones must be removed. The use of a Gel Fuel will damage the Fuel Bed and cause smoke and smells. If this happens the fuel bed cannot be reused.
- Ensure that the snuffer lid is in place when arranging the stones provided around the inner gel trough and ensure that the lid can be removed and replaced easily without disturbing the surrounding stones.
- **Liquid Bio-Fuel (Bio-Ethanol)**
 - Remove the Snuffer lid and fill the gel trough with preset quantity of smaller fuel bed stones.
 - The gel is poured over the fuel bed until the top of the stones is reached. This is approximately ½ litre of fuel.
 - Ensure any spillages are wiped clean with a damp cloth and removed before lighting.
- **Gel Bio-Fuel**
 - Remove the Snuffer lid.
 - The gel is poured into the inner oval trough which can be filled up to a level of 5mm below the top.
- To light, simply touch the surface of the fuel with a naked flame. We advise using a long lighter but matches can also be used. Ensure any used matches are disposed of and not left in the gel as this will cause smoke. After about 1 minute the flame will be at its full height, this will reduce over time.
- **To extinguish replace the lid provided.**
- It is advisable to extinguish the gel before it burns out as the residual gel in the bottom of the tray can produce an unpleasant odour.
- Allow some time for the gel to cool before re-filling. Do not re-fill when lit.
- If left unused for more than 24 hours wash out the tray before re-using to prevent the build up of residue.
- The gel tray should never be moved when lit or hot.
- Adequate precautions need to be made to ensure that the flames & heat generated cannot cause damage to the surrounding location.
- **Only use recommended bio-fuel with this burner**

- In locations where Children or Elderly people are present it is advisable to fit a dress guard or fire guard as this is an open fronted and open flamed appliance.
- The Bowl must be located on a secure bed which cannot be moved or knocked.
- If using outdoors the flame may be hard to see in direct sunlight and may become unstable if used in windy conditions.
- Gel Fuel can be purchased direct from the Spirit Fires website www.spiritfires.co.uk.

Removing spillages

Where a liquid has been spilled onto the surface of the unit, it should be removed quickly to prevent staining or serious damage. A solution of warm water and organic cleaner will give best results. Apply the mixture with a dabbing motion, using a sponge. The sponge is squeezed dry and used to dab up the cleaning mixture from the surface until all evidence of the spillage has been removed. The surface can then be allowed to dry naturally. Never light the burner when there has been a spillage onto either the stones or the outer fuel bed. If this occurs remove the outer stones and clean the spillage before refitting the stones.

Warning for Fire Guards and Hearths

The appliance is not installed with an integral guard. In normal use consideration may be given to the use of a fireguard conforming to BS6539 or BS6778, so that the approach to the appliance is limited such that access to the flame is minimised. It is recommended that a fireguard conforming to the requirements of BS6539 or BS6778 be installed if the appliance is used in the presence of young children, the elderly or the infirm.

For some countries a non-combustible hearth must be installed in front of the appliance in accordance with national regulations.

Do not stand too close to the appliance for prolonged periods of time and loose clothing is particularly at risk of burning due to the presence of an unguarded flame.

Do not place any combustible material directly in front of the appliance. Floor coverings, such as carpets, are considered to be acceptable.

The information supplied in this manual is correct at the time of publish;
Dated on the 30/10/09. There may be changes made in future as we
improve our products. If there are any queries please write or call our
technical department.

Spirit Fires Ltd,

**4 Beaumont Square
Aycliffe Industrial Park,
Newton Aycliffe
County Durham,
DL5 6SW
T – 01325 327 221
F – 01325 327 292
www.spiritfires.co.uk**