

HELIOS Traditional Fireplace Suite (with Small Oval Fire Bowl)

Index # 68, Rev-2, Page 1 of 2

CVO Fire : 01325-301020 : www.cvo.co.uk : sales@cvo.co.uk

MATERIAL OPTIONS:

FIRE BOWL: White Cast Stone, Sand Cast Stone, Black Cast Stone, Hand Polished Aluminium or Hand Polished Bronze
ENCLOSURE: Satin Black Steel, Stone enclosures are available upon request.
SURROUND: Limestone, Other materials upon request.
HEARTH: African Black Granite, Other materials upon request.

CE APPROVAL: (FOR SMALL OVAL FIRE BOWL)

Currently CE tested, approved. Available for the following gas categories and shipping across Europe.

Natural Gas - (I2H) – G20 – 20mBar, (I2E+) – G20/G25 – 20/25mBar, (I2L) – G25 – 25mBar, (I2E) - G20 – 20mBar.

Propane/LPG - (I3P) - G31 @ 30mBar, 37mBar & 50mBar.

DIMENSIONS:

Overall dimensions of the fire bowl:

HEIGHT: 198mm x WIDTH: 490mm x DEPTH: 340mm

Overall dimensions of the surround:

HEIGHT: 1120mm x WIDTH: 1100mm x DEPTH: 70mm

Dimensions of the hearth:

HEIGHT: 50mm x WIDTH: 1219mm x DEPTH: 381mm

Dimensions of enclosure opening [viewed from front]:

HEIGHT: 570mm x WIDTH: 620mm x DEPTH: 475mm

Dimensions of required construction opening [Metal Enclosure]:

HEIGHT: 1050mm x WIDTH: 724mm x DEPTH: 525mm



SMALL OVAL POWER RATING:

The Small Oval Fire Bowl in Manual Control has 2 separate power ratings - High and Low flame. All Fire Bowls are supplied as the Low Power Version unless specified at time of ordering. Note: Due to the increase in power the 9.5Kw version also has an increase in noise, which is unavoidable.

LOW POWER VERSION – Manual Control Only

Heat Input NG (I2H) (High to Low) 7.4Kw to 5.7Kw

Heat Input LPG (I3P) (High to Low) 7.0Kw to 5.4Kw

HIGH POWER VERSION – Manual

Heat Input NG (I2H) (High to Low) 9.5Kw to 7.0Kw

Heat Input LPG (I3P) (High to Low) 9.5Kw to 6.7Kw

OTHER TECHNICAL INFORMATION:

1. This fireplace is supplied as a complete package of Gas Fire, Surround, Hearth, Enclosure and optional gather.
2. Rosal Limestone is a soft material which contains fossils, of which the quantity is not controllable. It is very absorbent and is easily marked by liquids and soot which is a natural by-product of a living flame.
3. The fire bowl is available for NG or LPG.
4. The fire bowl has been designed for use in a Class 1 chimney. If using a flue liner the fire bowl is approved for an internal free area no less than 248cm² – 175mm x 3m length. A brick built chimney must be swept and tested by a registered chimney sweep prior to installation.
5. For air brick requirements please see air brick chart below in relation to high input settings.
6. Room ventilation is required. A 7kw version can be supplied to avoid this. Ask for details.
7. The fire bowl is operated by manual control.
8. A gather is available to join the enclosure to a flue liner. Please specify when ordering.
9. This fire can be supplied with other gas burners – Ribbon, Cube, Cast Slit, plus others, please ask.
10. Other surrounds and finishes possible, bespoke design requests welcomed.

=====
CVO reserve the right to amend and improve the specification sheets without prior notice. If in doubt about any aspect of this specification please call. The specification is not to be used to install the fireplace. Every fire is supplied with an official install booklet. Spirit Fires Limited own the Spirit, CVO and Firevault Trademarks. Copying and distribution of these specifications is not permitted without the permission of Spirit Fires Ltd. All dimensions include a +/-2mm tolerance.

Spirit Fires Ltd, 4 Beaumont Square, Durham Way South, Newton Aycliffe, County Durham, DL5 6XN

Sales: +44 (0)1325-301020 Office: +44 (0) 1325 327 221 Fax: +(0)1325 327 292 Email: sales@cvo.co.uk Web: www.cvo.co.uk

SHOWROOM: CVO Fires can be seen live in our FIREVAULT showrooms based in the North and South of the UK.

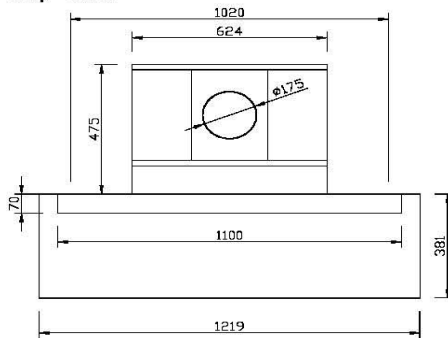
Visit www.firevault.co.uk or call 01325-301020 for full contact details, location maps and directions.

HELIOS Traditional Fireplace Suite (with Small Oval Fire Bowl)

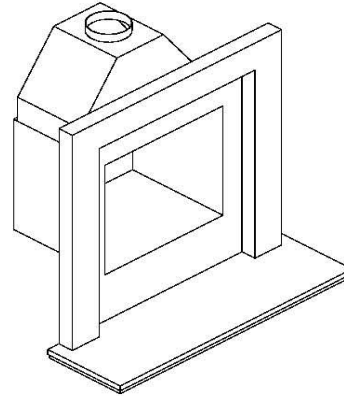
Index # 68, Rev-2, Page 2 of 2

CVO Fire : 01325-301020 : www.cvo.co.uk : sales@cvo.co.uk

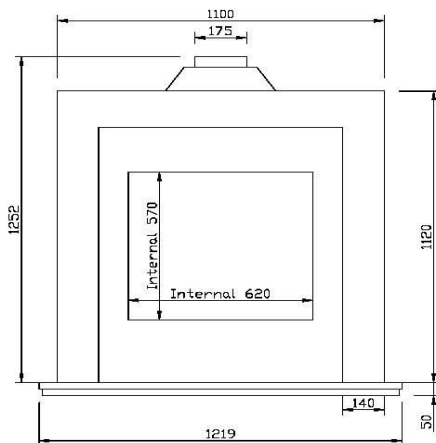
Top view



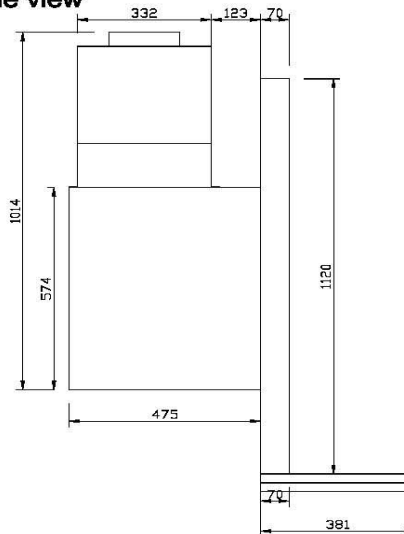
Perspective view



Front view



Side view



=====
CVO reserve the right to amend and improve the specification sheets without prior notice. If in doubt about any aspect of this specification please call. The specification is not to be used to install the fireplace. Every fire is supplied with an official install booklet. Spirit Fires Limited own the Spirit, CVO and Firevault Trademarks. Copying and distribution of these specifications is not permitted without the permission of Spirit Fires Ltd. All dimensions include a +/-2mm tolerance.

Spirit Fires Ltd, 4 Beaumont Square, Durham Way South, Newton Aycliffe, County Durham, DL5 6XN

Sales: +44 (0)1325-301020 Office: +44 (0) 1325 327 221 Fax: +(0)1325 327 292 Email: sales@cvo.co.uk Web: www.cvo.co.uk

SHOWROOM: CVO Fires can be seen live in our FIREVAULT showrooms based in the North and South of the UK.

Visit www.firevault.co.uk or call 01325-301020 for full contact details, location maps and directions.