

GEOMETRIX™ – RECTANGLE

Index Number: 70, Rev-5, Page 1 of 2

CVO Fire : 01325-301020 : www.cvo.co.uk : sales@cvo.co.uk

MATERIAL OPTIONS:

Rectangle Enclosure: Brushed Stainless Steel

Gather: Black Powder Coated Steel (Gather is optional)

CE APPROVAL:

Currently CE tested, approved and is available for the following gas types countries:

NG I2H- G20 @20mBar – AT, CH, CZ, DK, EE, ES, FI, GB, GR, HR, IE, IT, LT, LV, NO, PT, RO, SE, SI, SK, TR

NG I2E- G20 @ 20mBar – DE, LU, PL, RO

NG I2E+ - G20 @ 20mBar – BE, FR

NG I2E+ - G25 @ 25mBar – BE, FR

NG I2L-G25 @ 25mBar - NL

LPG I3P-G31 @ 30mBar - NL

LPG I3P-G31 @ 37mBar - BE, CH, CZ, ES, FR, GB, GR, HR, IE, IT, PT, SI, SK

LPG I3P-G31 @ 50mBar – AT, CZ, DE, GR, NL, RO, SK

DIMENSIONS:

Rectangle Enclosure Opening Size: HEIGHT: 174mm x WIDTH: 447mm x DEPTH: 338mm

Dimensions of Rectangle Fascia: HEIGHT: 437mm x WIDTH: 786mm x DEPTH: 20mm (from wall)

Overall Dimensions of Rectangle Enclosure*: HEIGHT: 307mm x WIDTH: 525mm x DEPTH: 320mm

*This is without the Gather fitted and is the actual size of the enclosure. An allowance is needed for building work around this. For the gather dimensions see page 2.



RECTANGLE INPUT POWER RATING:

High and Low flame settings:

Natural Gas - High – 6.8kW, Low – 4.4kW

LPG/Propane – High – 6.7kW, Low – 5.1kW

Approximate running costs per hour on high (subject to your gas supplier tariff): NG – 17p LPG 52p.

OTHER TECHNICAL INFORMATION:

1. Burner can be set for operation to Natural Gas or LPG/Propane (see CE Approvals above).
2. Safety Device – FFD (Flame Failure Device) & ODS (Oxygen Depletion System).
3. For use with either chimney or flues pipe systems
 - a. Class 1 (175mm) x 1m length minimum (from top of gather).
 - b. Class 2 (125mm) x 2m length minimum (from top of gather).
4. In older properties we recommend that the chimney is swept and tested prior to installation.
5. To avoid soot and debris falling into the enclosure from older brick chimneys it is recommended that gather is fitted.
6. As this fire is less than 7kW an air brick should not be required. If in doubt please consult latest Building Regulations.
7. Manual Control Piezo ignition system as Standard.
8. Appliance must be installed by Registered Gas Installer [UK].
9. **Gather-** This fire is not supplied with a gather as standard. The optional gather is designed to match the enclosure to a class 2 (125mm) flue liner. If using a class 2 liner it is advisable to purchase the gather unit at time of order to avoid installations delays on site.
10. **Noise-** As with all gas appliances you can increase in noise can be expected when using the low setting as the gas flow is restricted by the valve. As this is a low power fire this noise should be negligible.

=====
CVO reserve the right to amend and improve the specification sheets without prior notice. If in doubt about any aspect of this specification please call. The specification is not to be used to install the fireplace. Every fire is supplied with an official install booklet. Spirit Fires Limited own the Spirit, CVO and Firevault Trademarks. Copying and distribution of these specifications is not permitted without the permission of Spirit Fires Ltd. All dimensions include a +/-2mm tolerance.

Spirit Fires Ltd, 4 Beaumont Square, Durham Way South, Newton Aycliffe, County Durham, DL5 6XN

Sales: +44 (0)1325-301020 Office: +44 (0) 1325 327 221 Fax: +(0)1325 327 292 Email: sales@cvo.co.uk Web: www.cvo.co.uk

SHOWROOM: CVO Fires can be seen live in our FIREVAULT showrooms based in the North and South of the UK.

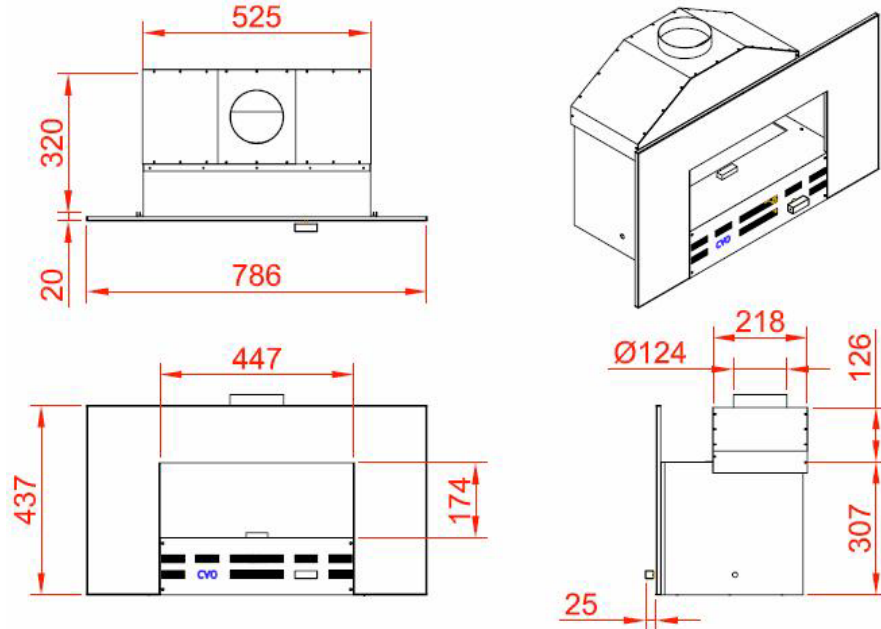
Visit www.firevault.co.uk or call 01325-301020 for full contact details, location maps and directions.

GEOMETRIX™ – RECTANGLE

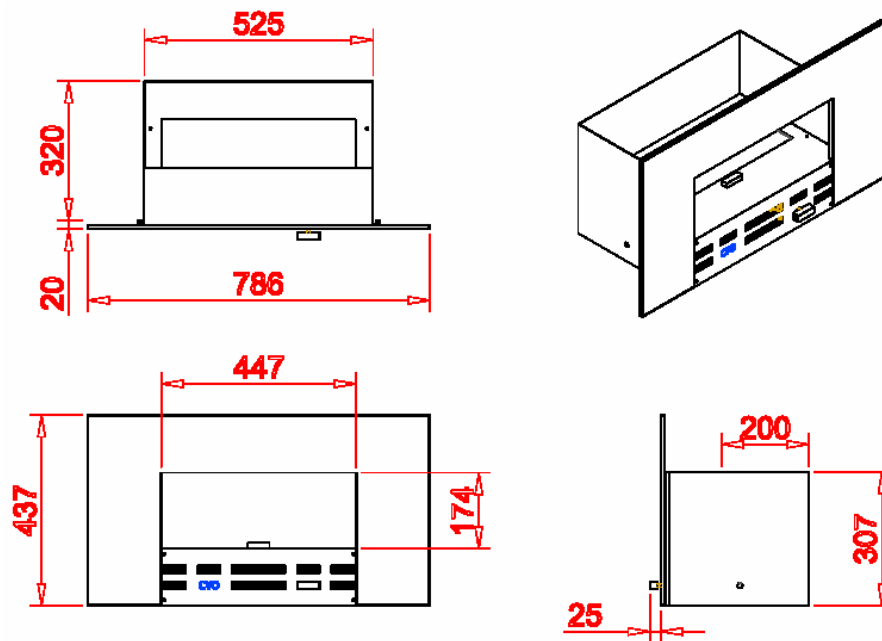
Index Number: 70, Rev-5, Page 2 of 2

CVO Fire : 01325-301020 : www.cvo.co.uk : sales@cvo.co.uk

With Gather Fitted



Without Gather Fitted



=====
CVO reserve the right to amend and improve the specification sheets without prior notice. If in doubt about any aspect of this specification please call. The specification is not to be used to install the fireplace. Every fire is supplied with an official install booklet. Spirit Fires Limited own the Spirit, CVO and Firevault Trademarks. Copying and distribution of these specifications is not permitted without the permission of Spirit Fires Ltd. All dimensions include a +/-2mm tolerance.

Spirit Fires Ltd, 4 Beaumont Square, Durham Way South, Newton Aycliffe, County Durham, DL5 6XN
Sales: +44 (0)1325-301020 Office: +44 (0) 1325 327 221 Fax: +(0)1325 327 292 Email: sales@cvo.co.uk Web: www.cvo.co.uk

SHOWROOM: CVO Fires can be seen live in our FIREVAULT showrooms based in the North and South of the UK.
Visit www.firevault.co.uk or call 01325-301020 for full contact details, location maps and directions.