

## SPECIFICATION SHEET

### LARGE OVAL FIREBOWL WITH ENCLOSURE

(The Fire Bowl is available to buy separately for install into suitable enclosure)

Index # 9, Rev-16

Page 1 of 2

#### MATERIAL OPTIONS:

FIRE BOWL MATERIALS: White Cast Stone, Black Cast Stone, Hand Polished Aluminium or Hand Polished Bronze.

ENCLOSURE: Black Steel, Rosal Limestone, White Madre Perle, Black Granite, Hand Polished Bronze, Brushed Stainless Steel.

ENCLOSURE FASCIA OPTIONS - The Metal Enclosure has an option to fit a 4pc Fascia made of Stone.

#### CE APPROVAL:

Currently CE tested, approved and available for the following countries:

NG - I2H - G20 - 20mBar - UK, EIRE, AUSTRIA, DENMARK, SPAIN, FINLAND, ITALY, PORTUGAL & SWEDEN

NG - I2E - G20 - 20mBar - GERMANY, LUXEMBOURG

NG - I2E+ - G20/G25 - 20/25mBar - FRANCE & BELGIUM

NG - I2L - G25 - 25mBar - NETHERLANDS

LPG - I3P(37) - G31 - 37mBar - UK, EIRE, NETHERLANDS, FRANCE, SPAIN, PORTUGAL & ITALY

#### DIMENSIONS:

Overall dimensions of the fire: HEIGHT: 210mm x WIDTH: 700mm x DEPTH: 440mm

Overall dimensions of the Fascia [CVO Enclosure]: HEIGHT: 700mm x WIDTH: 1200mm (Stone is 20mm thick)

Dimensions of Enclosure Opening [CVO Enclosure]: HEIGHT: 600mm x WIDTH: 840mm x DEPTH: 565mm

Dimensions of Construction Opening [CVO Enclosure]: HEIGHT: 900mm x WIDTH: 900mm x DEPTH: 600mm

#### LARGE OVAL POWER RATING:

High and low flame setting (gas only):

Heat input high: NG - 11.5KW LPG - 14.3KW

Heat input low: NG - 6.7KW LPG - 9KW

#### OTHER TECHNICAL INFORMATION:

1. Bowl sold separately if required.
2. Rosal Limestone is a soft material which contains fossils, of which the quantity is not controllable. It is very absorbent and is easily marked by liquids and soot which is a natural by-product of a living flame.
3. Fire available in NG or LPG.
4. ODS (Oxygen Depletion System) to monitor oxygen levels in the room (gas only).
5. For use with chimneys or flues (unaided by mechanical extraction) with an integral free area no less than 248cm<sup>2</sup> - Class 1 x 3m minimum length. Chimney/flue must be swept and tested by a registered chimney sweep prior to installation.
6. **This Fire must be used with an Air Brick.**
7. For air brick requirements please see air brick cross reference chart below.
8. Approximate running cost per hour on low (subject to your gas supplier tariff): NG - 33p, LPG - 114p.
9. Ignition is via a Manual Control System.
10. Metal Cast Bowls.
  - a. Bowls which are manufactured from Cast Metal are sand cast at a UK Foundry and then Hand Polished for over 15 Hours at the CVO Fire Factory. Pitting and Air Holes are a normal occurrence and are a part of the unique quality of such a hand made piece. All Bowls are inspected and given a full quality control check at the factory. Once the Bowl is installed it will be seen that the overall beauty and uniqueness of your CVO Fire outweighs what is a very minor feature of casting.
11. Noise
  - a. This is a large and Powerful Gas Fire which is suitable for Commercial or Domestic Premises. When installing in a Domestic Property it should be noted that all gas fires create noise and this noise increases with the power of the fire.
12. Enclosure and Gather
  - a. The Fire has been CE tested to work with the dimensions shown on the Standard CVO Fire Enclosure shown on page 2 and the flue shown in item 5. When installing the fire in a non-Standard enclosure the fire must be installed to ensure it operates safely.
  - b. Gathers are optional depending upon installation requirements. If the standard gather is not to be used, the fire must be connected to the enclosure in accordance with CORGI and local regulations. The gather shown is for dimensional purposes only. The gather can be supplied as an optional extra. Please specify when placing your order.

CVO reserve the right to amend and improve any of the specification sheets without prior notice.

NOTE - The low-rate on the burner unit has a running noise level due to the nature of the gas flow rate through the valve. This is normal for the size of this fire.

All fires are living flames. Sooting can occur as a natural bi-product of a living flame and cannot be controlled or eliminated. Weathering and sooting of the enclosures is a natural and normal occurrence. This, understandably is more obvious on light coloured materials such as white stone and white powder coated steel.

Cast bronze and cast iron are hand sand cast and polished. Pitting and air holes are normal and a part of the unique quality of such a piece.



AIRBRICK CHART	
Input Energy:	
0-7KW	No Airbrick Required
8-9KW	11cm <sup>2</sup> free air
10-15	36cm <sup>2</sup> free air
16-18KW	50cm <sup>2</sup> free air
KEY	
NG - NATURAL GAS	
SF - SOLID FUEL	
LPG - LIQUID PETROLEUM GAS	
ALL DIMENSIONS WITHIN +/- 2mm	

Spirit Fires Ltd, 4 Beaumont Square Durham Way South Aycliffe Industrial Park  
 Newton Aycliffe County Durham DL5 6SW  
 Tel: +44 (0) 1325 327 221 Fax: +(0)1325 327 292  
 Email info@cvo.co.uk

## SPECIFICATION SHEET

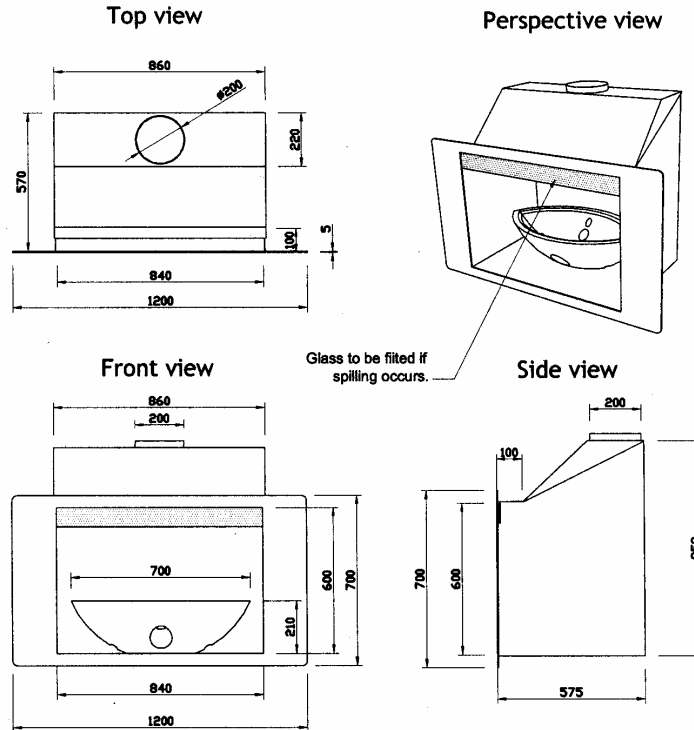
### LARGE OVAL FIREBOWL WITH ENCLOSURE

(The Fire Bowl is available to buy separately for install into suitable enclosure)

Index # 9, Rev-16

Page 2 of 2

**NOTE - The dimensions on this product are for a metal enclosure.**



For the builders opening please allow room for adjustments and for gas and electric supply.

CVO reserve the right to amend and improve any of the specification sheets without prior notice.

NOTE - The low-rate on the burner unit has a running noise level due to the nature of the gas flow rate through the valve. This is normal for the size of this fire.

All fires are living flames. Sooting can occur as a natural bi-product of a living flame and cannot be controlled or eliminated. Weathering and sooting of the enclosures is a natural and normal occurrence. This, understandably is more obvious on light coloured materials such as white stone and white powder coated steel.

Cast bronze and cast iron are hand sand cast and polished. Pitting and air holes are normal and a part of the unique quality of such a piece.



AIRBRICK CHART	
Input Energy:	
0-7KW	No Airbrick Required
8-9KW	11cm <sup>2</sup> free air
10-15	36cm <sup>2</sup> free air
16-18KW	50cm <sup>2</sup> free air
KEY	
NG - NATURAL GAS	
SF - SOLID FUEL	
LPG - LIQUID PETROLEUM GAS	
ALL DIMENSIONS WITHIN +/- 2mm	

Spirit Fires Ltd, 4 Beaumont Square Durham Way South Aycliffe Industrial Park  
 Newton Aycliffe County Durham DL5 6SW  
 Tel: +44 (0) 1325 327 221 Fax: +(0)1325 327 292  
 Email info@cvo.co.uk