



Italkero

Gas heating
- insert brazier -



Focus
50 - 70 - 90 - 130

**USER, INSTALLATION AND
TECHNICAL ASSISTANCE**



0694
BT1779

COMPLIANCE

Our appliances are compliance at:

- Gas directive 2009/142/CE (ex. 90/396/CEE)
- Electromagnetic directive compatible 2004/108/CE
- Low-tension directive 2006/95/CE



RANGE

Focus	50	70	90	130
insert brazier	BN05A0 M0000	BN07A0 M0000	BN09A0 M0000	BN13A0 M0000

Dear Technician,

Congratulations on having chosen our appliance. This unit is able to provide many years of well-being with extremely high standards of efficiency, reliability, quality and safety.

By means of this booklet, we intend providing you with all the information we consider necessary for correct and easy installation.

Thank you once again

The Manufacturer

WARRANTY

Our appliances are covered by a **SPECIFIC WARRANTY** starting on the date of validation by the Authorised After-Sales Service of your area, whose address you can find on our website or by directly contacting the manufacturer.

Please promptly contact this After-Sales Service which **FREE OF CHARGE:**

- will commission the appliance and
- validate the attached WARRANTY CERTIFICATE.
- Please read this certificate carefully.

GENERAL

General information	pg. 5
Fundamental safety rules	5
Description of the appliance	6
Identification	6
Structure	7
Technical data	8
Accessories	8
Wiring diagram	9
Control panel	10

INSTALLATOR

Receipt of product	11
- Dimension and weight	12
Installation	13
- Positioning the appliance	13
- Placing device	14
- Compartment housing	14
- Irradiation area	16
- Installation	16
- Cover the model	17
- Safety	17
- Log set and pebbles	18

TECHNICAL SERVICE

- Manual control	19
- Remote control IR	20
- Replacing the batteries	21
- Manual operating	22
- Power supply	23
- Routine maintenance	24
- Faults and solutions	24
Useful information	25

In same parts of the book there are used these symbols:










Attention: it used to underline particular caution or actions.









Prohibited: it used to underline the actions that don't half to be executed.

GENERAL INFORMATION

-  After removing the packaging, check the integrity and completeness of the supply and in case of any discrepancies, contact the Agency that sold the appliance.
-  The appliance must be installed by companies approved pursuant to Law no. 46 dated 5 March 1990. Upon completing the installation, such companies must issue a declaration of installation conformity in accordance with applicable national laws and the instructions provided by the Manufacturer in the installer's booklet attached to the product.
-  The appliance must only be used for the purpose intended by the Manufacturer and for which it has been expressly designed. The Manufacturer disclaims any contractual and non-contractual liability for injuries caused to people or animals and damage to things, due to installation errors, wrong settings, bad maintenance or improper use.
- If the appliance is not used for a long period:
 - position the master switch of the appliance on "off"
 - position the master switch of the system on "off" or disconnect the plug from the power mains (if fitted);
 - remove the batteries from the device control unit;
 - close the gas tap.
-  This booklet is an integral part of the appliance and must therefore be looked after carefully and must ALWAYS accompany the appliance, even when this is transferred to another owner or user, or else transferred to another system.
-  In case of damage or loss, ask the Technical Assistance Service of your Area Manufacturer for another copy.
-  This appliance features a hearth with ashes and ceramic billets containing refractory ceramic fibre made up of artificial vitreous silicate fibres. When handling these materials therefore, avoid creating excess dust. Prolonged exposure to these materials can cause irritation of the eyes and skin and breathing problems. If one of the ash or billet components is replaced, always seal the removed parts in a bag and dispose of them through authorised channels.
-  **IMPORTANT! BEFORE LIGHTING THE APPLIANCE, CAREFULLY READ ALL THE INSTRUCTIONS AND PRECAUTIONS IN THIS BOOKLET.**

FUNDAMENTAL SAFETY RULES

Please remember that the use of products involving fuels and electricity requires the enforcement of a number of fundamental safety rules such as:

-  Children and unassisted disabled persons must not use the appliance.
-  Do not start electric appliances or equipment, such as switches, household appliances etc in case of a smell of fuel or of combustion fumes.
In this case:
- ventilate the premises by opening the doors and windows;
 - close the fuel opening/closing device;
 - immediately call the Manufacturer's After-Sales Service or professionally skilled personnel.
-  Do not touch the appliance with wet or damp parts of the body or if your feet are wet.
-  Cleaning is forbidden without first disconnecting the appliance from the power mains by turning the master switch, if fitted, to "OFF" or taking out the plug.
-  Do not pull, disconnect or twist the power cables exiting from the appliance even when this is disconnected from the power mains.
Do not place objects, such as towels, rags, etc., on the appliance which could cause malfunctions or prove to be a hazard.
-  Never leave packaging material (cartons, plastic bags, etc.) within reach of children as this could be a potential hazard source.

DESCRIPTION OF THE APPLIANCE

This device is for decorative purposes.

Independent gas appliances for heating environments. They feature an atmospheric burner with combustion chamber TYPE B with open flame.

The combustion air is drawn directly from the room where the appliance is installed.


The discharge of combustion products may take place in the chimney canalizzandoli with direct connection to the asterno, size MIN Ø18cm.

In view of their small size, they can be installed in very compact spaces and ensure a greater well-being of the heated environment.

The natural convective movement permits quick heating of the environments from when the appliance is switched on.

An electronic board controls all the main functions of the appliance and automatically interrupts the gas supply in case of a fault.

The remote control features: appliance On/Off supply, heat output setting and operating condition reset after a fault.

 The appliances are factory set, to operate with Natural Gas, but are also available for LPG (G30/G31).

This type of appliance can be transformed from Natural Gas to LPG and vice versa with replacing the burner.

The gas type and pressure used for operation are shown on the technical data plate affixed to the appliance.

Do not change the factory settings of the gas control unit or receiver before installation.

The burner and pilot light are factory set by the Manufacturer.

The appliance must be connected to the gas type shown on the burner. Never ever connect a Natural Gas burner to the LPG supply or vice versa.

IDENTIFICATION

The appliance can be identified by means of:


- the packaging label showing the name of the product, the code, the serial number and the type of gas that can be used.

- The Technical Plate

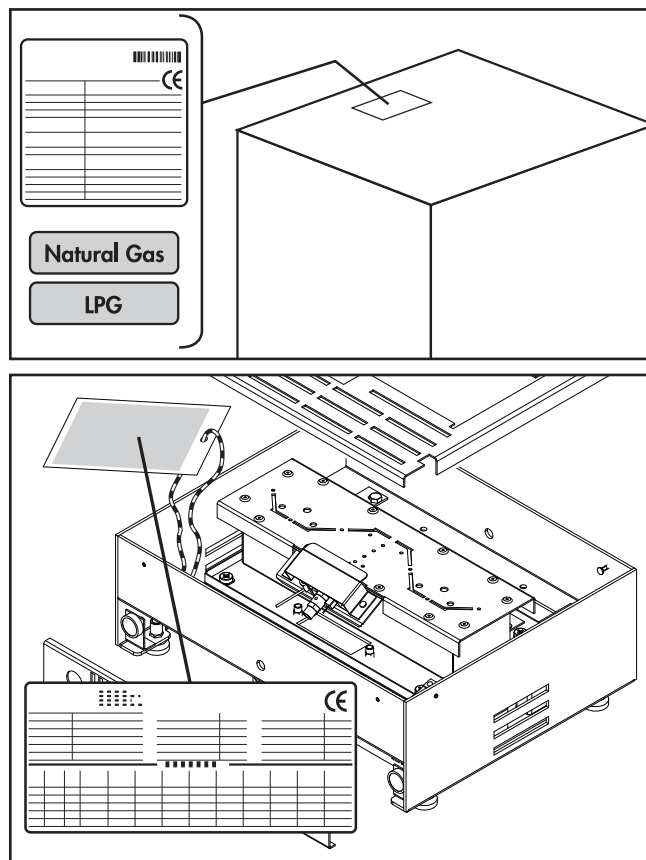
showing the serial number, the model and the main technical-performance data.

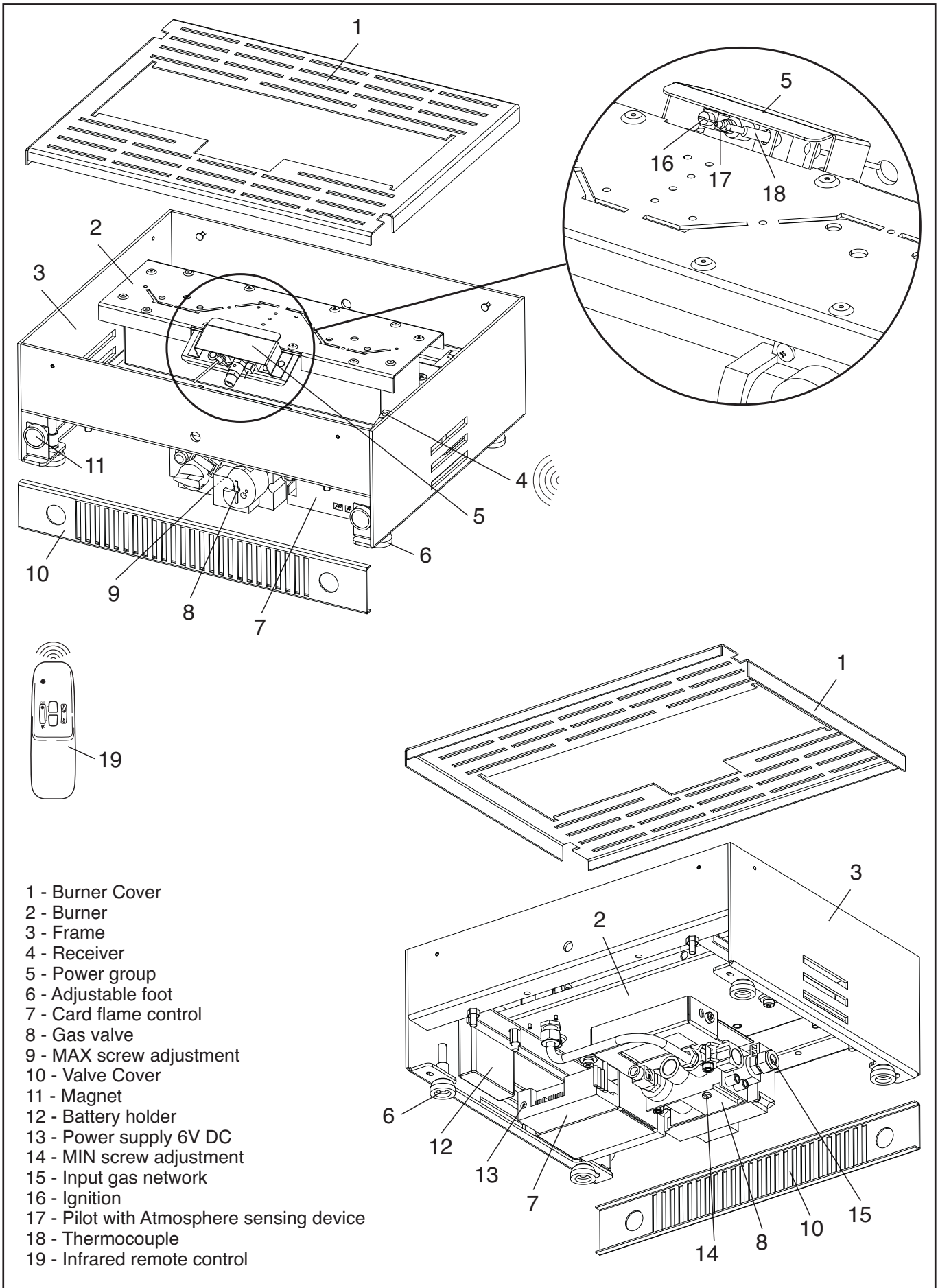
- The gas type plate

Showing the name of the gas for which the appliance has been set and regulated. If the type of gas is changed, this plate must be replaced with that of the new gas!

 Spare parts and/or technical jobs require the exact identification of the associated model of appliance.

Tampering with, removing or the absence of the Technical Plate, etc. does not allow the exact identification of the product, making any installation and maintenance job difficult.





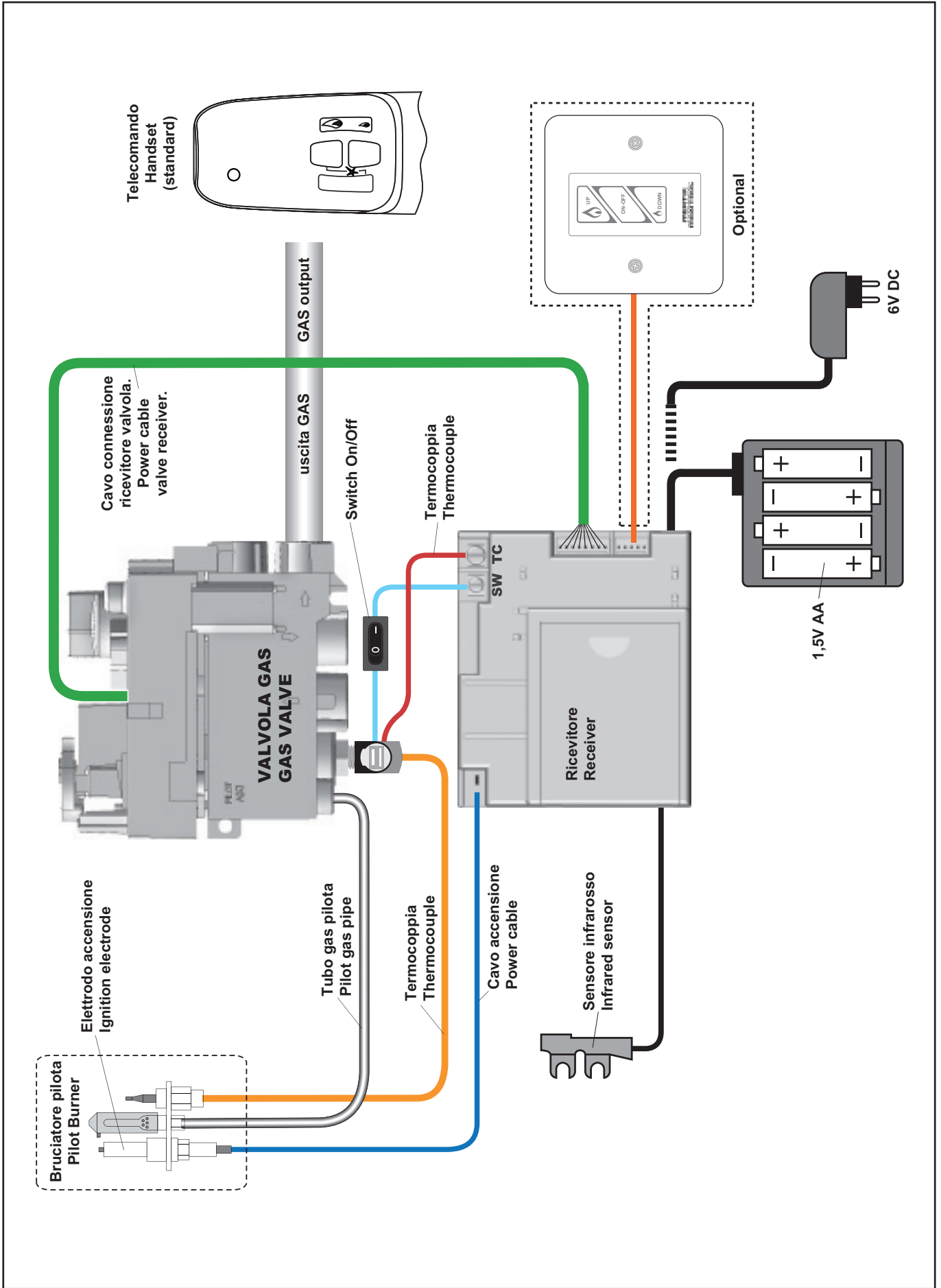
- 1 - Burner Cover
- 2 - Burner
- 3 - Frame
- 4 - Receiver
- 5 - Power group
- 6 - Adjustable foot
- 7 - Card flame control
- 8 - Gas valve
- 9 - MAX screw adjustment
- 10 - Valve Cover
- 11 - Magnet
- 12 - Battery holder
- 13 - Power supply 6V DC
- 14 - MIN screw adjustment
- 15 - Input gas network
- 16 - Ignition
- 17 - Pilot with Atmosphere sensing device
- 18 - Thermocouple
- 19 - Infrared remote control

TECHNICAL DATA

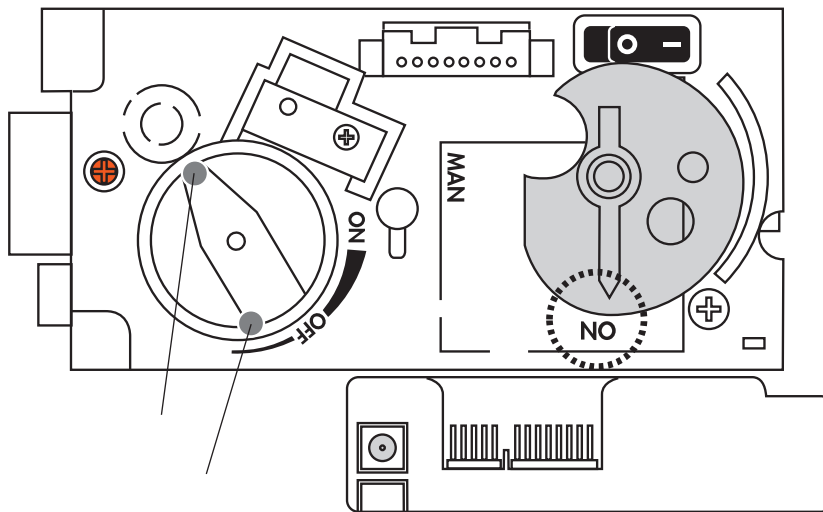
model	50	70	90	130	u.m.
Heat input max (p.c.i)	8,3	10	10	12	kW
Heat input min (p.c.i)	3,3	4	4	5	kW
Exhaust type	B				
NOx	5				class
Consumption G20 Nom./Red.	0,878/0,349	1,057/0,423		1,269/0,529	m3 /h
Consumption G31 Nom./Red.	0,654/0,256	0,788/0,315		0,946/0,394	Kg/h
Press. nom. supply G20/G31	20/37				mbar
Press. nom. nozzles G20/G31	12/37				mbar
Pr. nom. nozzles G20/G31 Red.	2/6,5	2/6,9		2/7	mbar
Ø burner nozzle G20/G31	2,5/1,45	2,7/1,65		2,1/1,3	mm
Pilot nozzle	0,35/0,25				cod.
Power supply (optional)	230VAC / 6VCC				V
Power input	0				W
Gas connection pipe	3/8" - Ø10				Ø mm
Remote control battery (nr. 1)	9V PP3				type
Receiver battery (nr. 4)	1,5V AA				type
Electrical protection	IP20				
Gas category	I 2H - I 3P				
Exhaust pipe MIN	180				Ø mm

ACCESSORIES

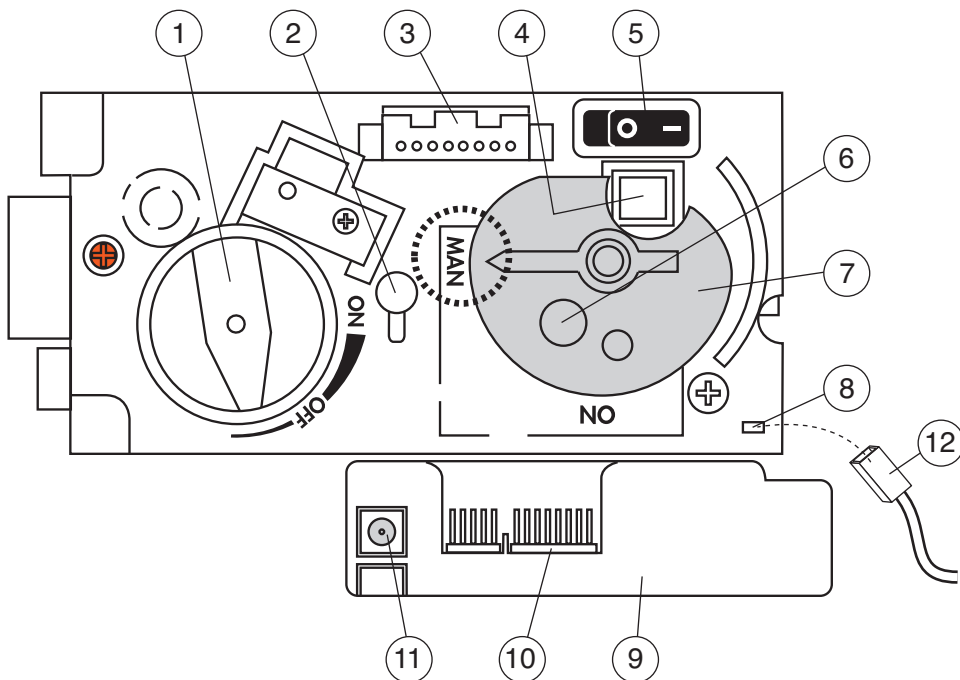
<i>DESCRIPTION</i>
Log set KIT
River pebbles KIT
KIT connection power



Automatic operation position with REMOTE CONTROL



MANUAL Operation position



- 1 - Adjustment knob
- 2 - MAX gas adjustment screw
- 3 - Flame control Valve/Board connector
- 4 - Piezoelectric ignition button (emergency)
- 5 - O-1 switch
- 6 - Magnet stem for manual operation (emergency)
- 7 - Manual operation position knob
- 8 - Piezoelectric connector wire
- 9 - Flame control board
- 10 - Flame control Valve/Board connector
- 11 - Power socket - 6V DC
- 12 - Cable to be disconnected from the unit and connect on position 8